



# FIREPLACE XTORDINAIR™



Tested and Listed by



OMNI-Test Laboratories, Inc.  
Beaverton, Oregon  
Report #  
ANSI Z21.88

- Built-In Direct Vent Fireplace
- Natural Gas or Propane
- Residential or Mobile Home

**WARNING:** If the information in these instructions are not followed exactly, a fire or explosion may result causing property damage, personal injury or loss of life.

- Do not store or use gasoline or other flammable vapors and liquids in the vicinity of this or any other appliance.

#### WHAT TO DO IF YOU SMELL GAS

- Do not try to light any appliance.
- Do not touch any electrical switch; do not use any phone in your building.
- Immediately call gas supplier from a neighbor's phone. Follow the gas supplier's instructions.
- If you cannot reach your gas supplier, call the fire department.
- Installation and service must be performed by a qualified installer, service agency or the gas supplier.

This appliance may be installed as an OEM installation in a manufactured (mobile) home and must be installed in accordance with the manufacturer's instructions and the manufactured home construction and safety standard, Title 24 CFR, Part 3280 or Standard for Installation in Mobile Homes, CAN/CSA Z240 MH.

This appliance is only for use with the type(s) of gas indicated on the rating plate. A conversion kit is supplied with the appliance.

## 44 DV XXL EF Manual

**Installer:** After installation give this manual to the home-owner and explain operation of this heater.

© Copyright 2007, Travis Industries \$10.00 100-01149



TRAVIS INDUSTRIES  
HOUSE OF FIRE

4800 Harbour Pointe Blvd. SW  
Mukilteo, WA 98275

Introduction

We welcome you as a new owner of a Fireplace Xtordinaire gas fireplace. In purchasing a Fireplace Xtordinaire you have joined the growing ranks of concerned individuals whose selection of an energy system reflects both a concern for the environment and aesthetics. The Fireplace Xtordinaire is one of the finest home heaters the world over. This manual will explain the installation, operation, and maintenance of this fireplace. Please familiarize yourself with the Owner's Manual before operating your heater and save the manual for future reference. Included are helpful hints and suggestions that will make the operation and maintenance of your new fireplace an easier and more enjoyable experience. We offer our continual support and guidance to help you achieve the maximum benefit and enjoyment from your heater.

Important Information

No other Fireplace Xtordinaire gas fireplace has the same serial number as yours. The serial number is below and to the left of the gas control valve.

This serial number will be needed in case you require service of any type.

Model: 44 DV XXL EF

Serial Number:

Purchase Date:

Purchased From:

Mail your Warranty Card Today, and Save Your Bill of Sale.

To receive full warranty coverage, you will need to show evidence of the date you purchased your heater. Do not mail your Bill of Sale to us.

We suggest that you attach your Bill of Sale to this page so that you will have all the information you need in one place should the need for service or information occur.

NATIONAL FIREPLACE INSTITUTE NFI CERTIFIED www.nficertified.org We suggest that our gas hearth products be installed and serviced by professionals who are certified in the U.S. by the National Fireplace Institute® (NFI) as NFI Gas Specialists.

## **Introduction**

Introduction & Important Information.....2

## **Safety Precautions**

Safety Precautions .....4

## **Features & Specifications**

Features .....6  
Installation Options.....6  
Heating Specifications.....6  
Dimensions.....6

## **Installation**

Installation Warnings.....7  
Packing List.....7  
Additional Items Required for Installation.....7  
Installation Overview.....8  
Recommended Installation Procedure.....8  
Fireplace Placement Requirements.....9  
    Minimum Framing Dimensions .....9  
    Clearances .....10  
    Vertical Stand-Off .....10  
    Corner Installations .....11  
    Raised Fireplaces.....11  
Gas Line Requirements .....12  
    Fuel.....12  
    Gas Line Connection.....12  
    Gas Inlet Pressure .....12  
Electrical Connection.....13  
Vent Requirements.....14  
    Altitude Considerations .....14  
    Clearances .....14  
    Part Numbers (8" Dia. Pipe) .....14  
    Vent Installation.....15  
Approved Vent Configurations.....16  
    Restrictor Position.....16  
    Elbows.....16  
    Measuring Vent Lengths.....16  
    Vertical Term. 0,2 or 4 45° Offsets .....17  
    Horizontal Term. with One Vert. Elbow .....18  
    Horizontal Term. with Three Vert. Elbows.....19  
    Vertical Term. with Two Elbows.....20  
Vent Termination Requirements .....21  
Hearth Requirements.....22  
Facing Requirements.....23  
Face Dimensions .....24  
Fireplace Facing Detail.....25  
Facing Example – Facing Under 1" Thick.....26  
Facing Example – Facing Over 1" Thick .....27  
Mantel Requirements.....28

## **Finalizing the Installation**

1 Glass Removal (& installation).....29  
2 Log Installation .....31  
3 Replace the Glass .....35  
4 Faceplate Installation.....35  
5 Leak Test.....35  
6 Pilot Adjustment (if necessary).....35  
7 Air Shutter Adjustment (if necessary) .....35  
8 Check Flame.....35  
9 Explain Operation to Home-Owner.....36

## **Operation**

Before You Begin.....37  
Location of Controls .....37  
Starting The Pilot .....38  
Starting the Fireplace for the First Time.....39  
Turning the Fireplace On and Off.....39  
Adjusting the Flame Height.....39  
Adjusting the Blower Speed.....40  
Optional Power Heat Duct Operation .....40  
Normal Operating Sounds.....40  
Normal Operating Odors.....40

## **Maintenance**

Yearly Service Procedure.....41  
Troubleshooting Table.....42  
How this Fireplace Works.....43  
    What Turns the Main Burners On and Off.....43  
    What Prevents Gas Buildup.....43  
Wiring Diagram .....44  
Replacement Parts List.....44

## **Safety Label**

Safety (Listing) Label.....45

## **Warranty**

Warranty.....46

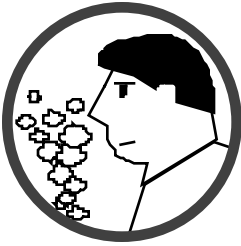
## **Optional Equipment**

LP Conversion Kit .....47  
Power Heat Duct.....50  
Modulating Remote Installation.....55

## **Index**

Index.....56

# Safety Precautions



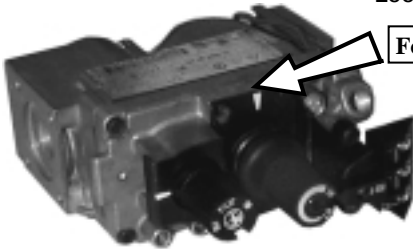
## • IF YOU SMELL GAS:

- \* Do not light any appliance
- \* Extinguish any open flame
- \* Do not touch any electrical switch or plug or unplug anything
- \* Open windows and vacate building
- \* Call gas supplier from neighbor's house, if not reached, call fire department



- This unit must be installed by a qualified installer to prevent the possibility of an explosion. Your dealer will know the requirements in your area and can inform you of those people considered qualified. The room heater should be inspected before use and at least annually by a qualified service person. More frequent cleaning may be required due to excessive lint from carpeting, bedding material, etc.
- The instructions in this manual must be strictly adhered to. Do not use makeshift methods or compromise in the installation. Improper installation will void the warranty and safety listing.

Look for this label:



**For LPG only | Pout 11" W.C.**

If the label is present, the heater is equipped for LP (propane). If the label is absent, the heater is equipped for NG (natural gas).

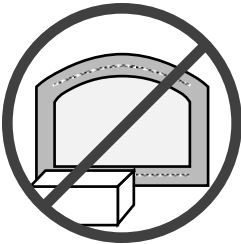
- This heater is either approved for natural gas (NG) or for propane (LP or LPG). Burning the incorrect fuel will void the warranty and safety listing and may cause an extreme safety hazard. Direct questions about the type of fuel used to your dealer. Check for the label shown to the right.



- Contact your local building officials to obtain a permit and information on any installation restrictions or inspection requirements in your area. Notify your insurance company of this heater as well.



- If the flame becomes sooty, dark orange in color, or extremely tall, do not operate the heater. Call your dealer and arrange for proper servicing.



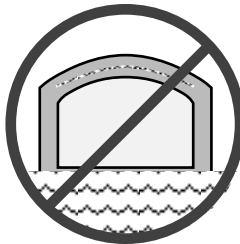
- It is imperative that control compartments, screens, or circulating air passageways of the heater be kept clean and free of obstructions. These areas provide the air necessary for safe operation.



- Do not operate the heater if it is not operating properly in any fashion or if you are uncertain. Call your dealer for a full explanation of your heater and what to expect.



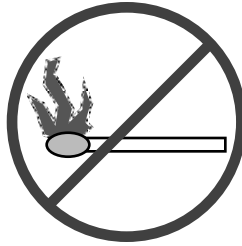
- Do not store or use gasoline or other flammable liquids in the vicinity of this heater.



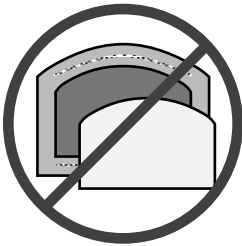
- Do not use this appliance if any part has been under water. Immediately call a qualified service technician to inspect the appliance and to replace any part of the control system and any gas control which has been under water.



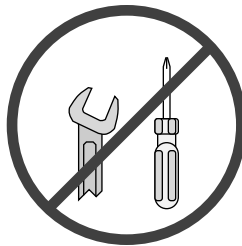
- Do not place clothing or other flammable items on or near the heater. Because this heater can be controlled by a thermostat there is a possibility of the heater turning on and igniting any items placed on or near it.



- Light the heater using the built-in piezo igniter. Do not use matches or any other external device to light your heater.
- Never remove, replace, modify or substitute any part of the heater unless



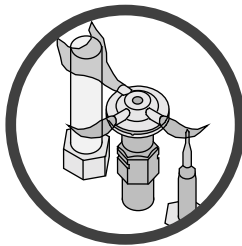
- The viewing glass should be opened only for lighting the pilot or conducting service.
- Any safety screen or guard removed for servicing must be replaced prior to operating the heater.
- Do not operate with the glass removed or damaged.



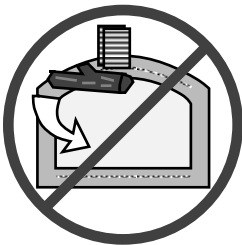
- instructions are given in this manual. All other work must be done by a trained technician. Don't modify or replace orifices.
- Allow the heater to cool before carrying out any maintenance or cleaning.



- Operate the heater according to the instructions included in this manual.
- If the main burners do not start correctly turn the gas off at the gas control valve and call your dealer for service.



- The pilot flame must contact the thermopile and thermocouple (see the illustration to the left). If it does not, turn the gas control valve to "OFF" and call your dealer.



- This unit is not for use with solid fuel
- Do not place anything inside the firebox (except the included fiber logs).
- If the fiber logs become damaged, replace with Travis Industries log set.



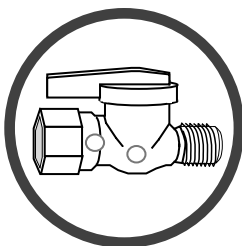
- Do not throw this manual away. This manual has important operating and maintenance instructions that you will need at a later time. Always follow the instructions in this manual.



- Do not touch the hot surfaces of the heater. Educate all children of the danger of a high-temperature heater. Young children should be supervised when they are in the same room as the heater.



- **Travis Industries, Inc. grants no warranty, implied or stated, for the installation or maintenance of your heater, and assumes no responsibility of any consequential damage(s).**



- Instruct everyone in the house how to shut gas off to the appliance and at the gas main shutoff valve. The gas main shutoff valve is usually next to the gas meter or propane tank and requires a wrench to shut off.

# Features and Specifications

## Features:

- Works During Power Outages (millivolt system)
- High Efficiency
- Optional Thermostat or Remote Control
- Realistic "Wood Fire" Look
- Two Quiet Blowers for Effective Heat Distribution
- Convenient Operating Controls
- Variable-Rate Heat Output
- Low Maintenance

## Installation Options:

- Residential or Mobile Home
- Straight or Corner Placement
- Flush or Recessed Face
- Raised or Floor Hearth
- Internal or External Chase
- Horizontal or Vertical Vent
- Power Heat Duct

## Heating Specifications:

Approximate Heating Capacity (in square feet)\*  
 BTU Input Per Hour (from high to low)  
 BTU Output on High (with blowers on)  
 Efficiency\*\* (with blowers on)  
 AFUE (Annual Fuel Utilization Efficiency)

## Natural Gas

Up to 3,000  
 58,000 – 43,000  
 42,920  
 74 %  
 68 %

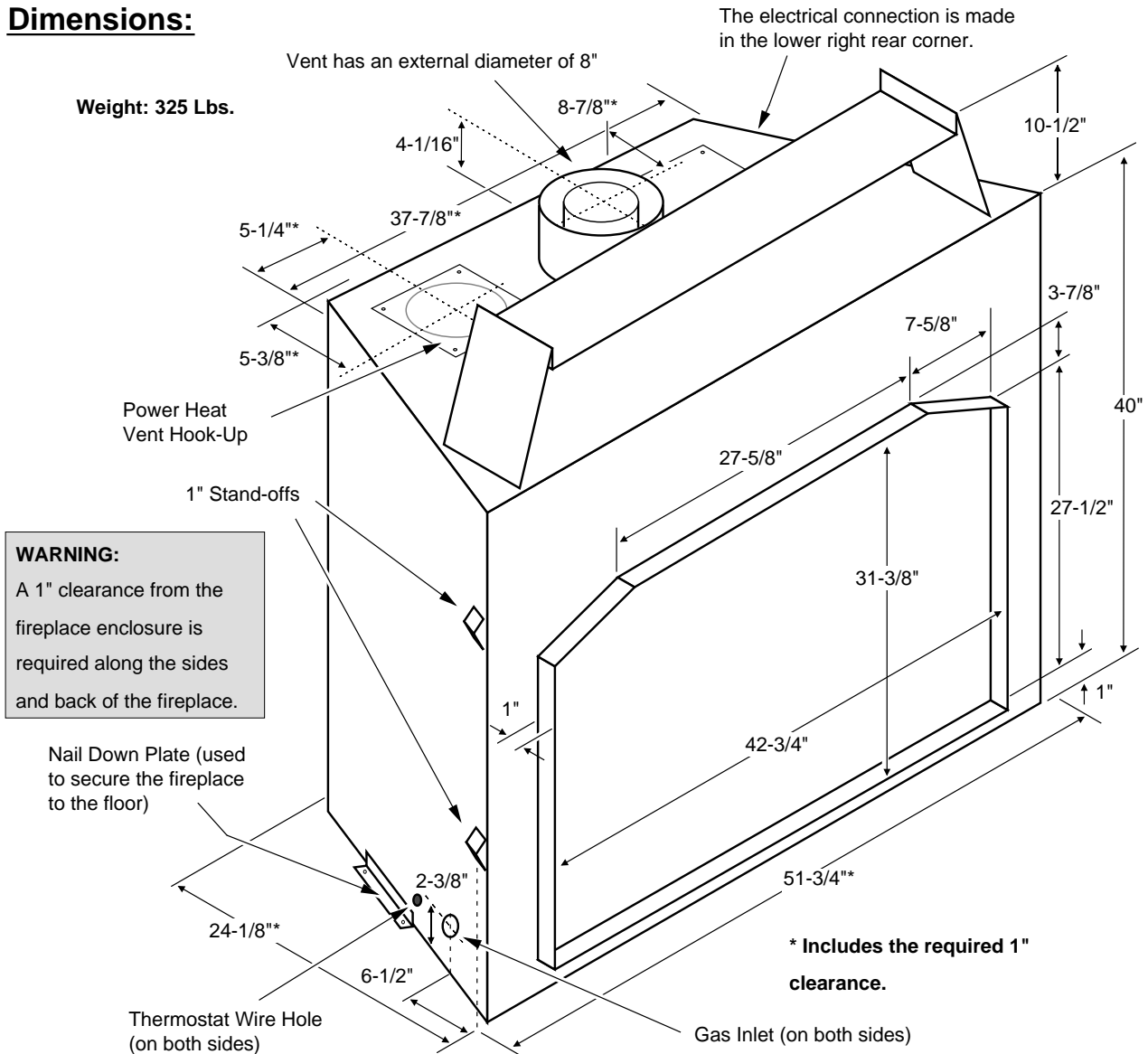
## Propane

Up to 3,000  
 58,000 – 44,000  
 44,080  
 76 %  
 69 %

\* Heating capacity will vary with floor plan, insulation, use of Power Heat Duct, and outside temperature.

\*\* Efficiency rating is a product thermal efficiency rating determined under continuous operation independent of installed system.

## Dimensions:



## ***Installation Warnings:***

---

- ! Failure to follow all of the requirements may result in property damage, bodily injury, or even death.
- ! This heater must be installed by a qualified installer who has gone through a training program for the installation of direct vent gas appliances.
- ! This appliance must be installed in accordance with all local codes, if any; if not, in U.S.A. follow ANSI Z223.1 and NFPA 54(88).
- ! In Manufactured or Mobile Homes must conform with: In USA, Manufactured Home Construction and Safety Standard, Title 24 CFR, Part 3280. This appliance may be installed in Manufactured Housing only after the home is site located.
- ! The 44 DV XXL is designed to operate on natural gas or propane (LP).
- ! All exhaust gases must be vented outside the structure of the living-area. Combustion air is drawn from outside the living-area structure.
- ! Notify your insurance company before hooking up this fireplace.
- ! The requirements listed below are divided into sections. All requirements must be met simultaneously. The order of installation is not rigid – the qualified installer should follow the procedure best suited for the installation.

## ***Packing List***

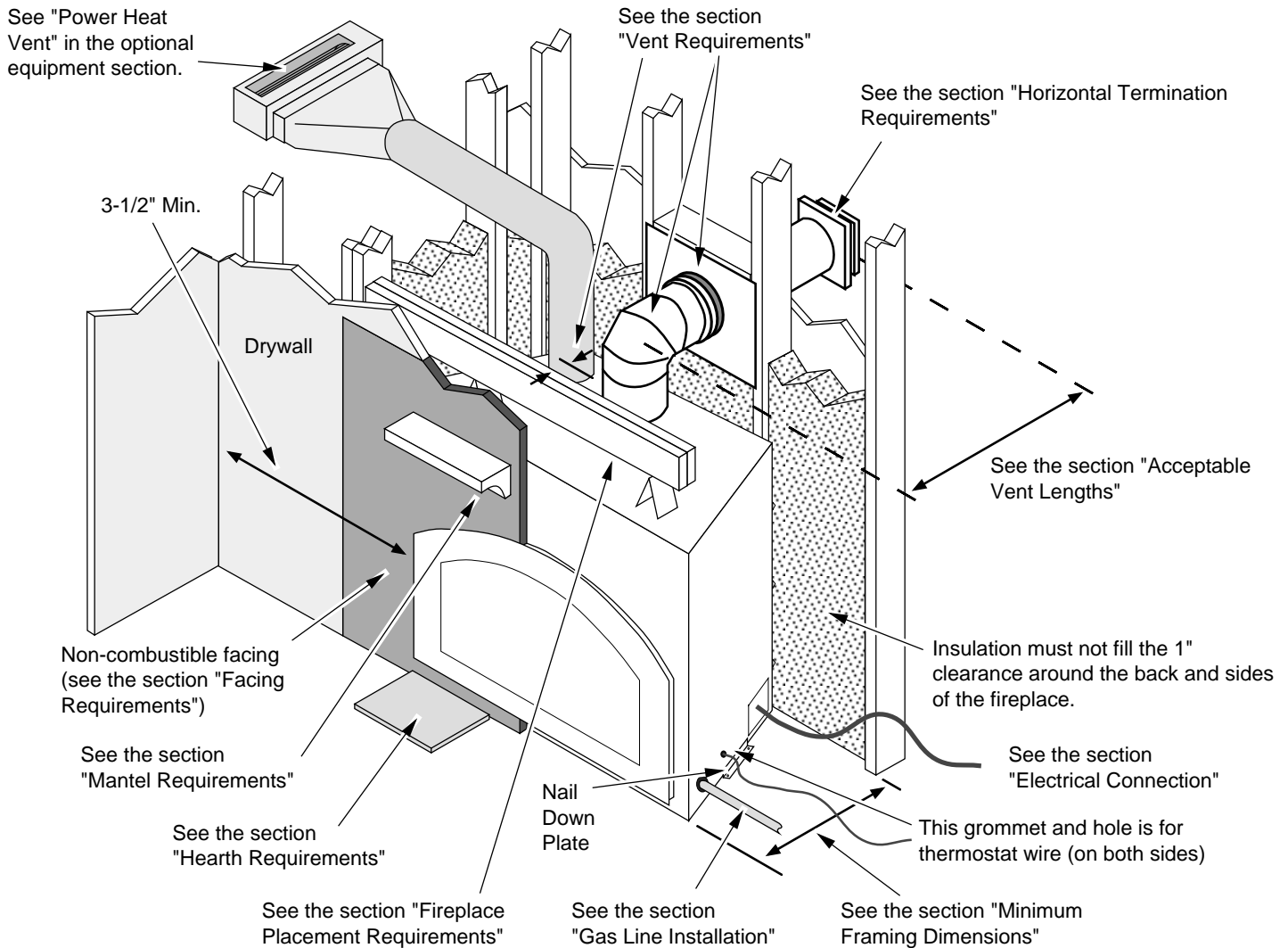
---

- Propane Conversion Kit
- Log Set (Log Set, Coals, & Glowing Embers)
- Flex Tube with Pipe Adapter
- Glass Latch Key (to un-latch glass frame)
- Arch Covers (for arched face)
- Firestop (manufactured for the 44 DV XXL)
- (2) Fireback Clips (for ceramic firebacks only)

## ***Additional Items Required***

---

- Faceplate - Includes attachment screws
- Direct Vent (Simpson Dura-Vent Ph. # 800 835-4429)
- Gas Line Equipment (shutoff valve, pipe, etc.)
- Electrical Equipment (min. 18 gauge, grounded line)

**Installation Overview****Recommended Installation Procedure**

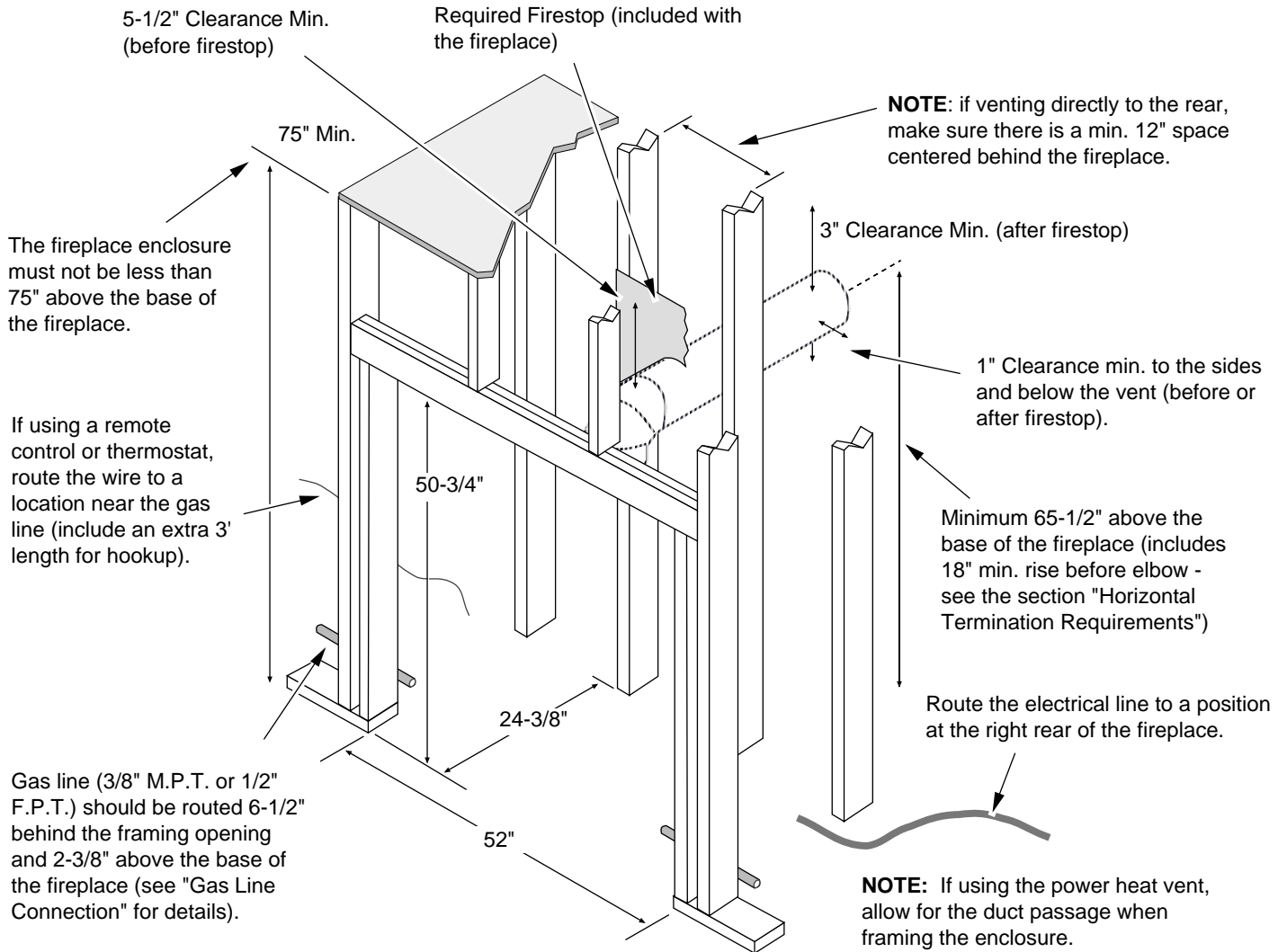
- 1 Frame the opening for the fireplace. Make sure to allow for vent installation and the type of installation (corner or flat wall).
- 2 Insert the fireplace into the framing. Slide it back until the firebox front face is flush with the framing members. Verify all clearances at this point.
- 3 Secure the fireplace to the floor by screwing or nailing through the nail-down plates (found on both sides and back of the fireplace).
- 4 Complete the gas line installation.
- 5 Complete the electrical hook-up.
- 6 Complete the vent installation.
- 7 Install the hearth (if applicable).
- 8 Install the facing.
- 9 Install the mantel (if applicable).



## Fireplace Placement Requirements

### Minimum Framing Dimensions

A 1" clearance is required along the sides and back of the fireplace. The 1" stand-offs on the sides and 10-1/2" stand-offs on the top of the fireplace are designed to separate the fireplace from the framing members. These stand-offs may contact the framing members but no material may be placed between the stand-offs



- Fireplace must be installed on a level surface capable of supporting the fireplace and vent
- Fireplace must be placed directly on wood or non-combustible surface (not on linoleum or carpet)
- Due to the high temperature of the fireplace, it should be located out of traffic and away from furniture and draperies.

This heater may be placed in a bedroom. Please be aware of the large amount of heat this appliance produces when determining a location.

## Clearances

- When installed, walls in front of the fireplace must be a minimum 3-1/2" to the side of the faceplate.
- Due to the high temperature, the heater should be located out of traffic and away from furniture and draperies.
- Fireplace must be placed so the vents below and above the glass do not become blocked

## Vertical Standoff

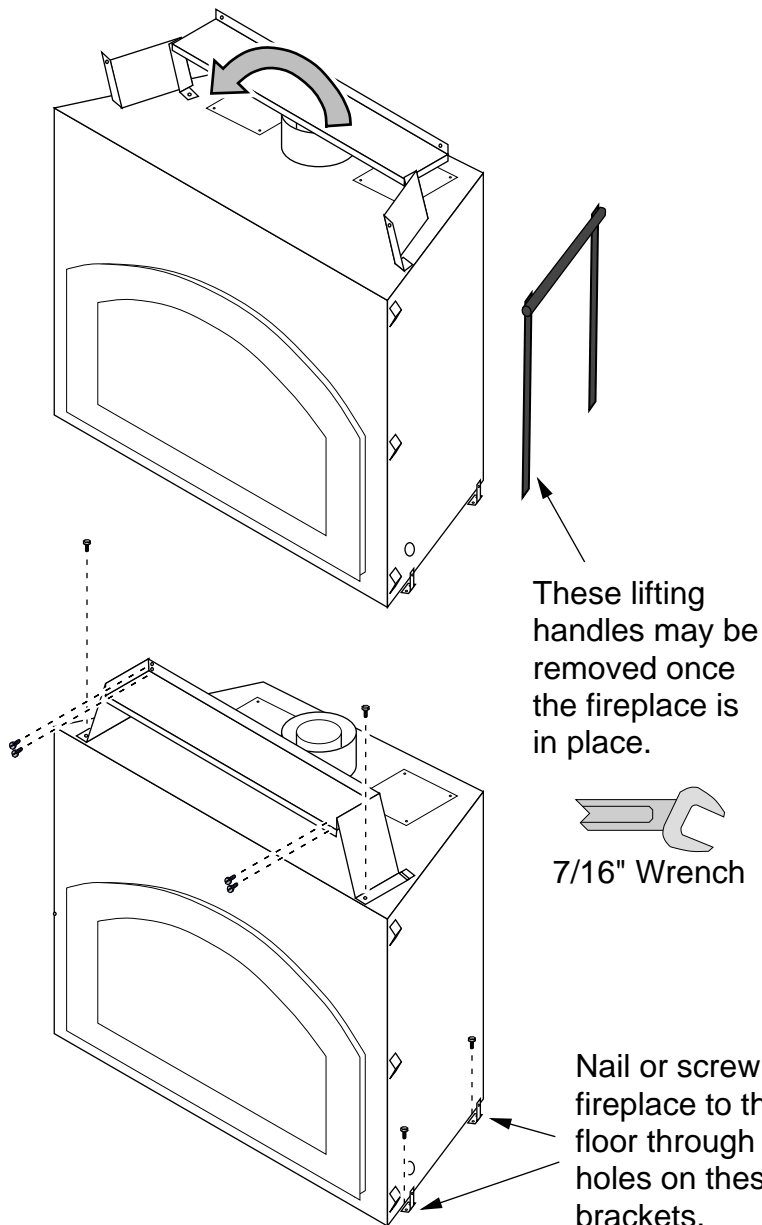
- The vertical standoff above the fireplace must be erected prior to installation. See the illustration below for instructions.

The vertical standoff is shipped swiveled down. Rotate the standoff upwards into place.

Secure the standoff with the six screws.

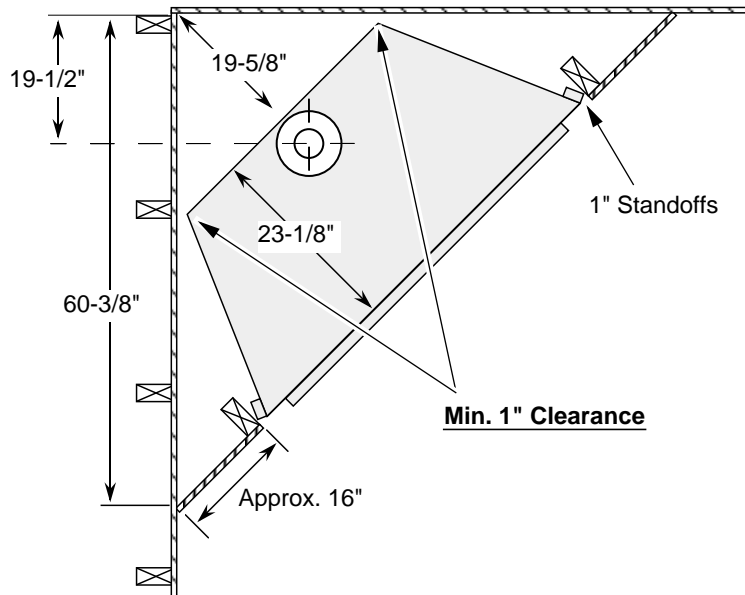


1/4" Nutdriver



## Corner Installations

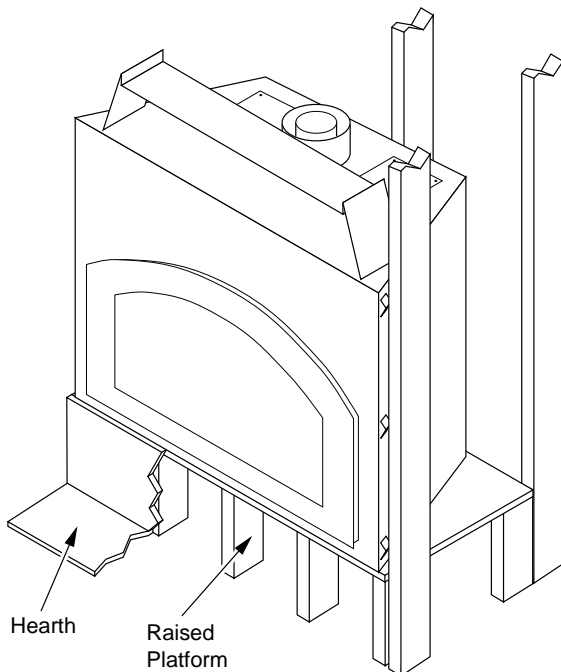
A typical 45° installation uses the minimum framing dimensions shown in the illustration below (NOTE: all clearances still apply).



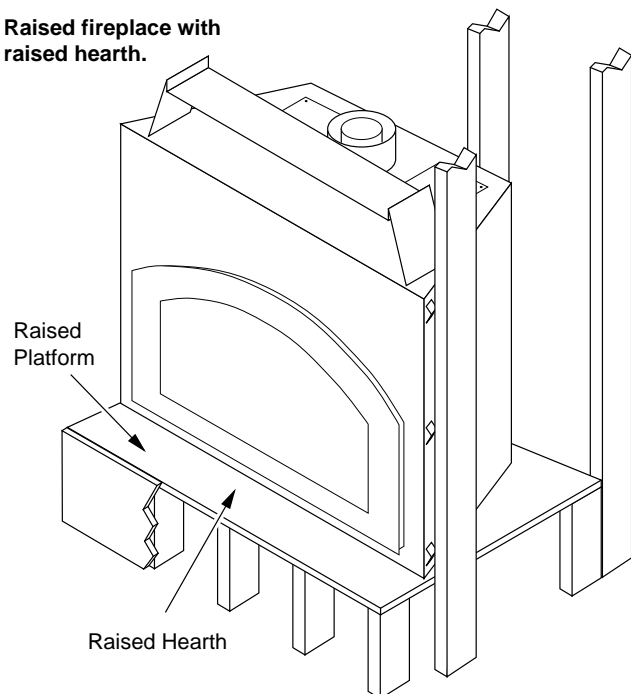
## Raised Fireplaces

- The fireplace (and hearth, if desired) may be placed on a platform designed to support the fireplace (approximately 300 Lbs.) and vent.
- The fireplace may not be raised so as to place the ceiling within 75" of the base of the fireplace.
- The fireplace may not be raised so as to reduce the fireplace enclosure to less than 75".

Raised fireplace



Raised fireplace with raised hearth.



## Gas Line Requirements

- ! The gas line must be installed in accordance with all local codes, if any; if not, follow ANSI 223.1 and the requirements listed below.
- ! The fireplace and gas control valve must be disconnected from the gas supply piping during any pressure testing of that system at test pressures in excess of 1/2 psig. For pressures under 1/2 psig, isolate the gas supply piping by closing the manual shutoff valve.
- ! Leak test all gas line joints and the gas control valve prior to and after starting the fireplace.

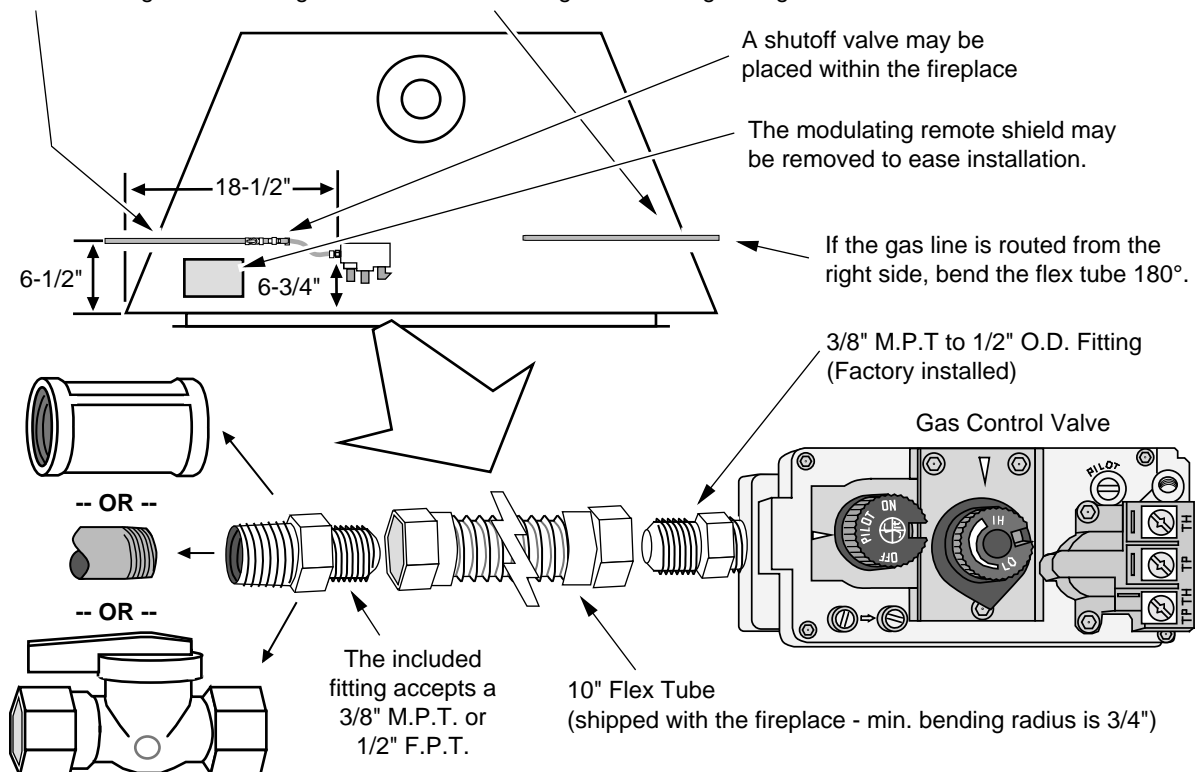
## Fuel

- This fireplace is designed either for natural gas or for propane (but not for both). Check the sticker on the top of the gas control valve to make sure the correct fuel is used.

## Gas Line Connection

- A manual shutoff valve is required for installation (within 3' of the heater or inside the fireplace). T-Handle gas cocks are required in Massachusetts in compliance with code 248CMR.

The 1" diameter access hole is located 2-3/8" above the base of the fireplace. Cut an "X" in the gasket covering the inlet and insert the gas line through the gasket.



## Gas Inlet Pressure:

	Standard Input Pressure
Natural Gas	7" W.C. (1.74 kPA)
Propane	13" W.C. (2.73 kPA)

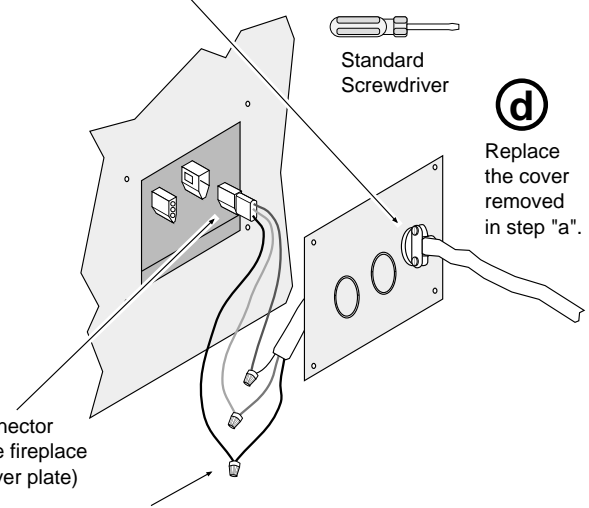
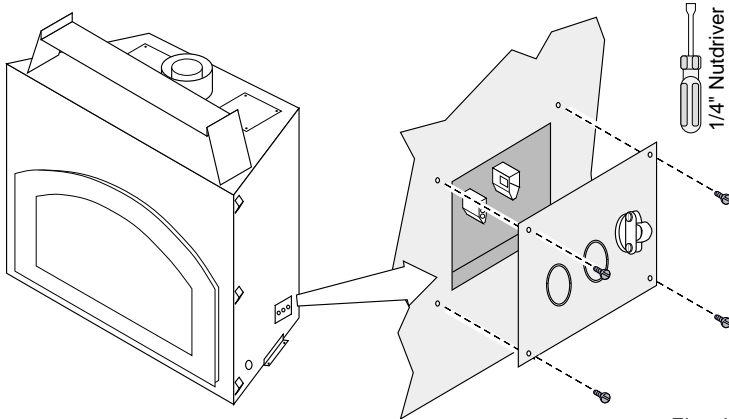
- If the pressure is not sufficient, make sure the piping used is large enough, the supply regulator is adequately adjusted, and the total gas load for the residence does not exceed the amount supplied.
- The supply regulator (the regulator that attaches directly to the residence inlet or to the propane tank) should supply gas at the suggested input pressure listed above. Contact the local gas supplier if the regulator is at an improper pressure.

## Electrical Connection

- ! Make sure the household breaker is shut off prior to working on any electrical lines.
- ! The appliance, when installed, must be electrically grounded in accordance with local codes or, in the absence of local codes, with the National Electrical Code, or ANSI NFPA.
  - The electrical line must be 14 gauge, and supply 120 Volts at 60 Hz (2 Amps)
- 1 Follow the directions below to connect power to the fireplace.

**a** Remove the cover from the fireplace junction box.

**b** Insert the sheathed cable from the power source through this cable clamp. Once the wires are attached, tighten the clamp to secure the cable.



**d** Replace the cover removed in step "a".

**WARNING:** Make sure power is off from the power lead before conducting any wiring.

**c** Attach the common (white), ground (exposed or green) wires, and hot (black) wires from the power source to the electrical connector (included with the fireplace). Then attach the connector to the fireplace.

**NOTE:**  
If using the power heat duct, you may wish to route the wiring for it at this point. See the instructions under "Optional Equipment".

## Vent Requirements

- ! The vent must maintain the required clearance to combustible materials to prevent a fire (see "Clearances" below). Do not fill air spaces with insulation.
- ! The gas appliance and vent system must be vented directly to the outside of the building, and never be attached to a chimney serving a separate solid fuel or gas-burning appliance. Each direct vent gas appliance must use its own separate vent system.

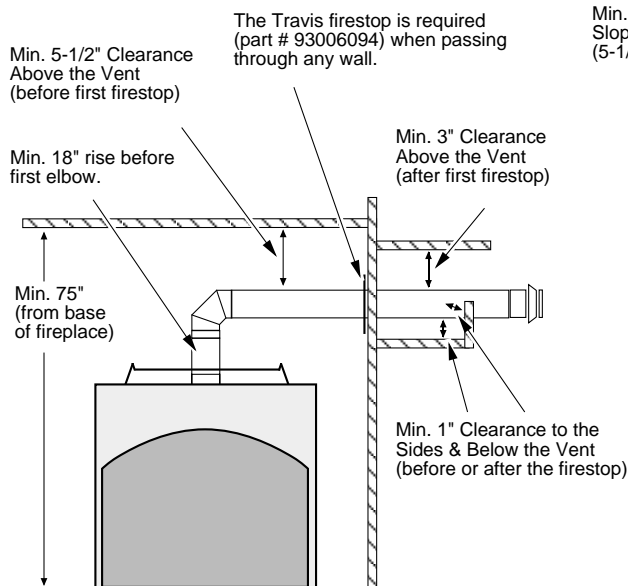
## Altitude Considerations

This heater has been tested at altitudes ranging from sea level to 8,000 feet (2,400 M). In this testing we have found that the heater, with its standard orifice, burns correctly with just an air shutter adjustment.

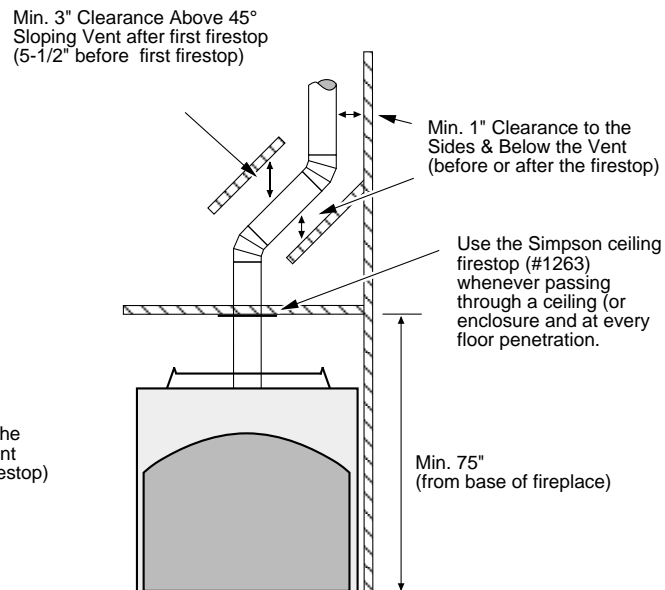
- ! Failure to adjust the air shutter properly may lead to improper combustion which can create a safety hazard. Consult your dealer or installer if you suspect an improperly adjusted air shutter.

## Clearances

### Horizontal Runs



### Vertical Sections



## Part Numbers for 8" Diameter Vent

- Use 8" diameter Model GS Direct Vent manufactured by Simpson Dura-Vent **only**. Follow the installation instructions included with the vent. For the nearest Simpson Dura-Vent supplier, call (800) 835-4429. Vent part numbers and descriptions are listed below.

### Straight Lengths

1208B	6" Pipe Length, Black
1207B	9" Pipe Length, Black
1206B	12" Pipe Length, Black
1204B	24" Pipe Length, Black
1203B	36" Pipe Length, Black
1202B	48" Pipe Length, Black
1211B	11" to 14-5/8" Adjustable, Black

### Terminations

1284	Horizontal Square Termination
1285	Hor. High Wind Termination
1250	Vinyl Siding Stand-off
1291	Travis Vertical Termination

### Elbows

1245B	45° Elbow, Black
1290B	90° Elbow, Black

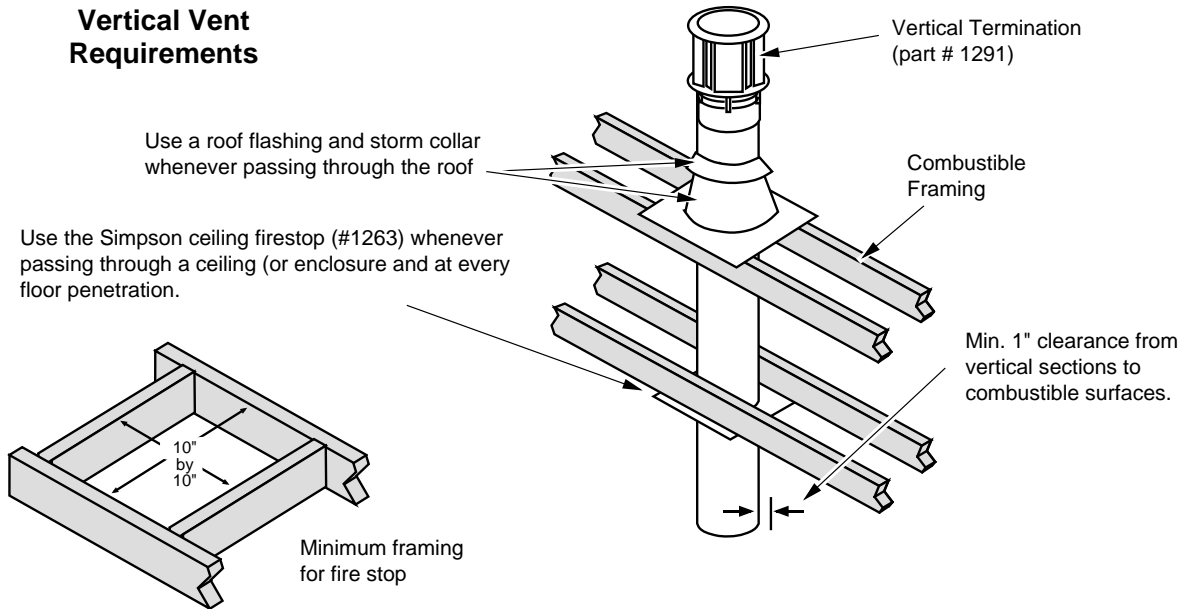
### Penetration, Support

93006094	Travis Firestop
1241	Cathedral Ceiling Support Box
1288	Wall Strap
1263	Ceiling Firestop

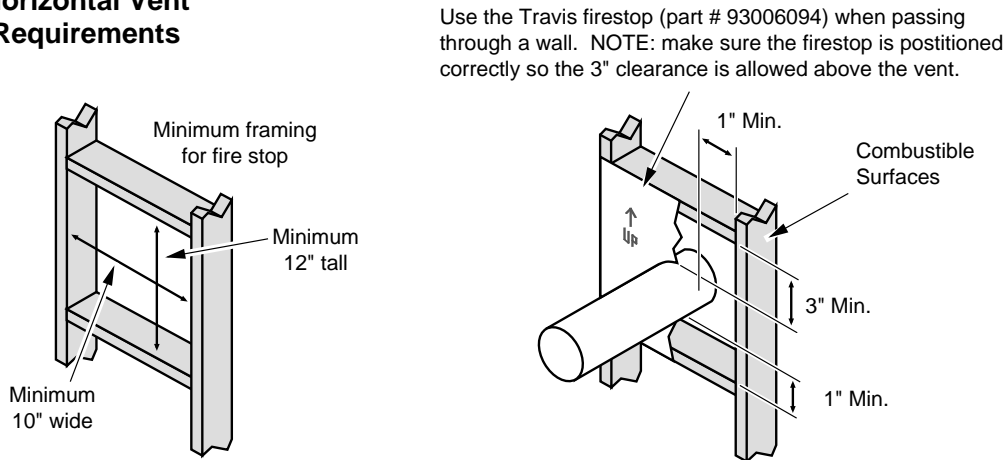
## Vent Installation

- In addition to the requirements below, follow the requirements provided with the vent.

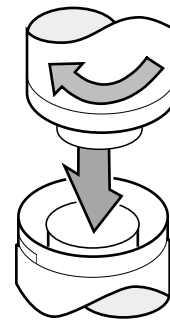
### Vertical Vent Requirements



### Horizontal Vent Requirements



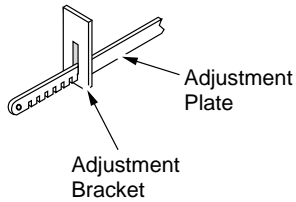
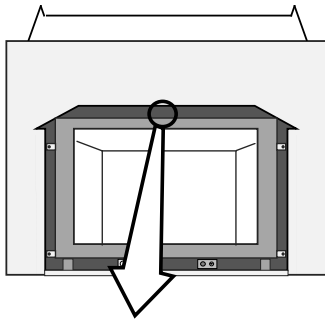
- Slide the vent sections together and turn 1/4 turn until the sections lock in place.
- Screws are not required to secure the vent. However, three screws may be used to secure vent sections together if desired.
- High temperature sealant is recommended at the appliance starter section connection (use high-temperature silicone or Mill-Pac®).
- If disassembly is required, at time of re-assembly check to see if the vent creates a tight fit. If it does not, apply high temperature sealant to the joints of the affected sections.
- Horizontal sections require a 1/4" rise every 12" of travel
- Horizontal sections require non-combustible support every three feet (e.g.: plumbing tape)



## Approved Vent Configurations

### Restrictor Position

- A vent restrictor is built into the appliance to adjust the flow rate of exhaust gases. This ensures proper combustion for all vent configurations. Depending upon the vent configuration, you may be required to adjust the restrictor position. The charts for acceptable vent configurations detail the correct vent restrictor position.

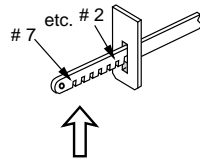


This restrictor is in position 1 (factory setting).

**To Access the Restrictor:**  
With the face removed and the fireplace cool, reach above the firebox.

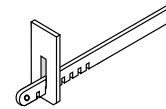
**To Adjust the Restrictor:**

- Determine the correct restrictor position (see the charts under "Approved Vent Configurations" - the factory position is #1).
- Lift up the adjustment plate and move it so the correct notch falls into the slot on the adjustment bracket.



To adjust, lift up on the adjustment plate and push it back.

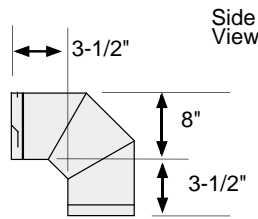
**WARNING:** Use a glove to protect your hand from burns.



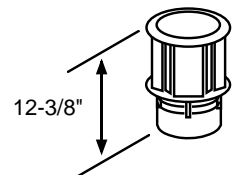
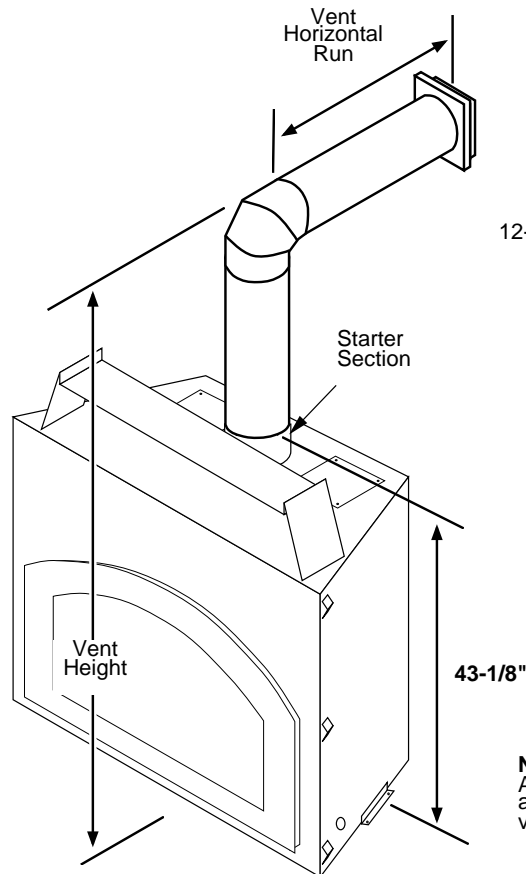
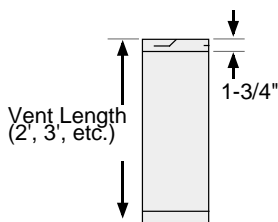
This restrictor is in position 6.

### Elbows

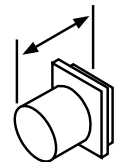
- See the vent configurations for details on how many elbows may be used and in what manner.



**NOTE:** Vent sections overlap each other by 1-3/4"



10-3/4" wide with 1-3/4" to 3-3/8" of overlap

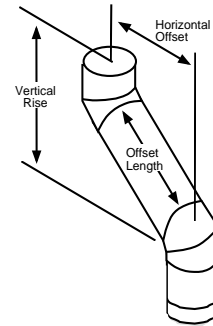


**NOTE:** All measurements are for 8" diameter vent.



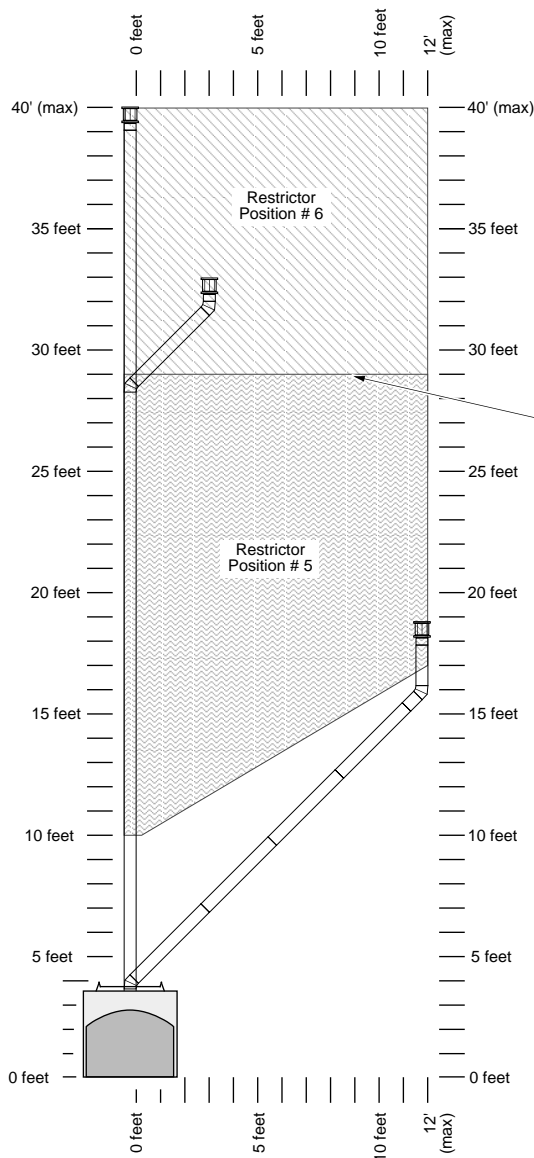
## Vertical Terminations with 0, 2, or 4 45° Offsets

Offset Length	Hor. Offset	Vert. Rise
None	5"	1'
1' Section	1'	1' 7"
2' Section	1' 9"	2' 4"
3' Section	2' 5"	3'
4' Section	3' 2"	3' 8"

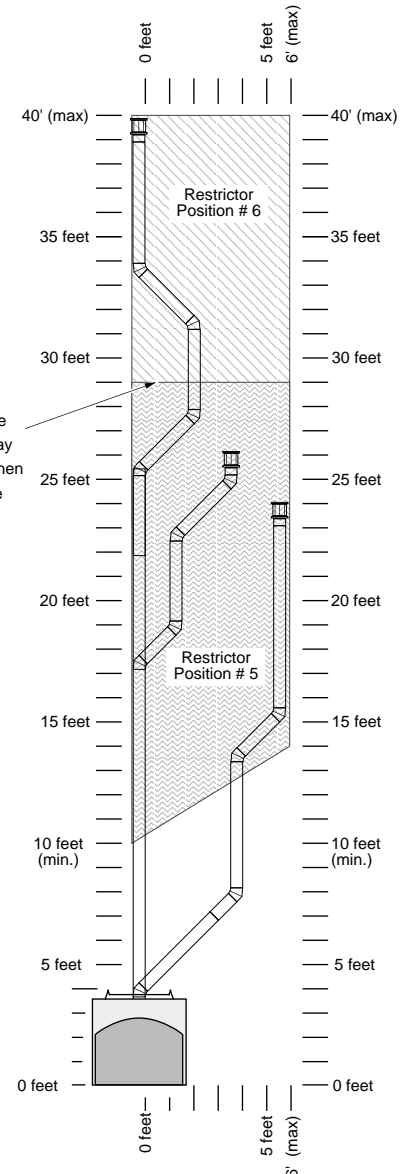


- The termination must fall within the shaded area shown in the chart. Use the indicated restrictor position.

### Zero or Two 45° Offsets



### Four 45° Offsets

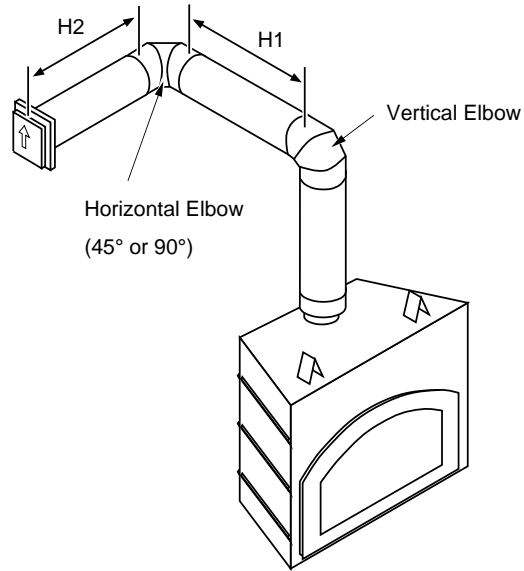


**NOTE:**  
Restrictor positions are based upon lab tests. The ideal restrictor position may vary slightly, especially when the termination is near the demarcation line.

## Horizontal Terminations with One Vertical Elbow

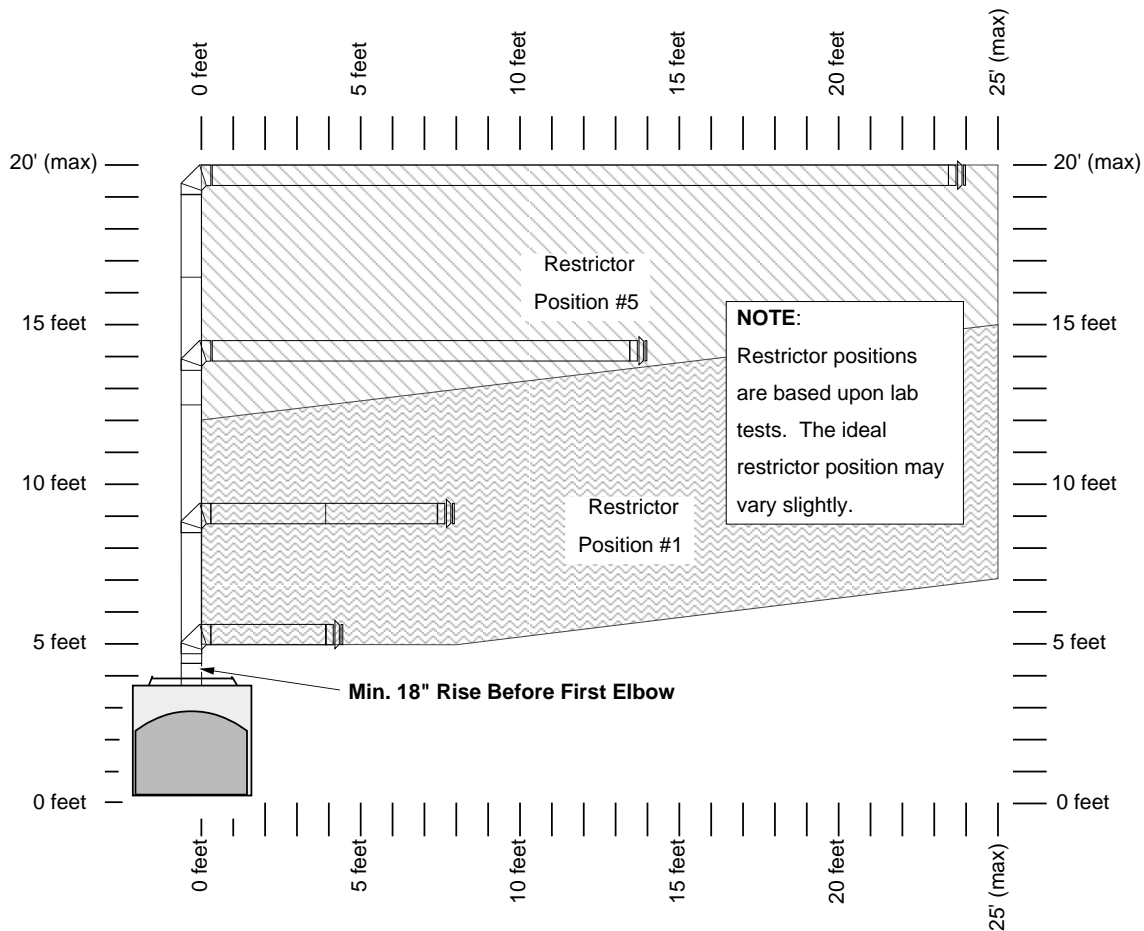
The termination must fall within the shaded area shown in the chart. Use the indicated restrictor position.

**NOTE:** If you are installing this fireplace with a minimum of vent rise, and are experiencing intermittent pilot outages, you may need to install a pilot shield (SKU 250-00028). Contact your dealer for information.



**NOTE:**

- One horizontal elbow (45° or 90°) is allowed. The horizontal vent length is calculated by adding the length before and after the elbow ( $H1 + H2 =$  horizontal vent length).
- Horizontal sections require a 1/4" rise every 12" of travel.

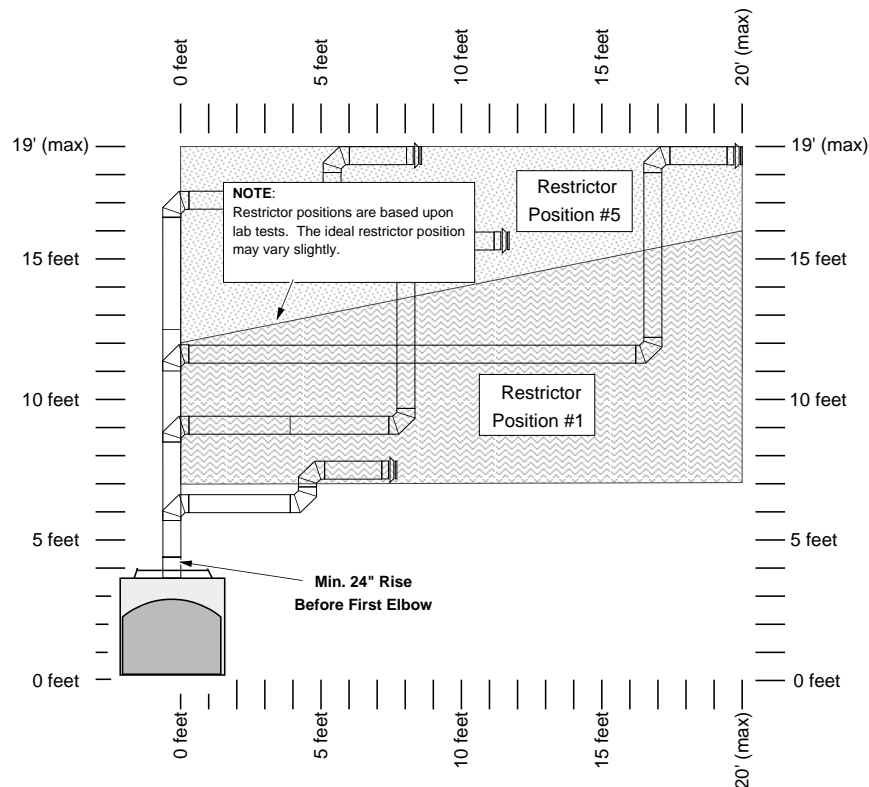
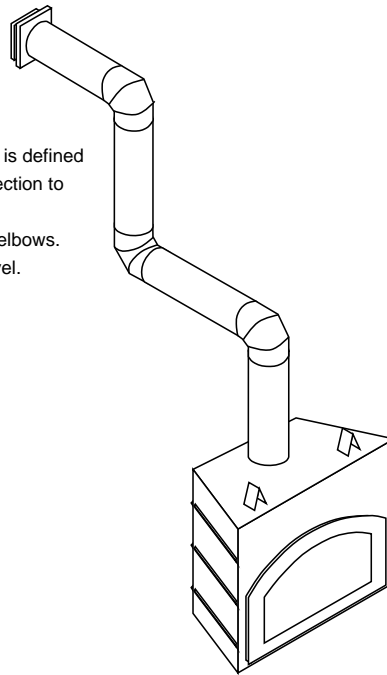
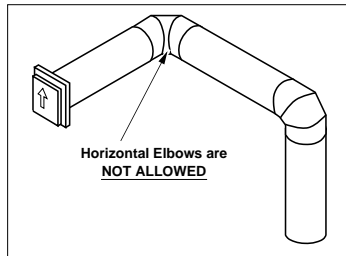


## Horizontal Terminations with Three Vertical Elbows

The termination must fall within the shaded area shown in the chart. Use the indicated restrictor position.

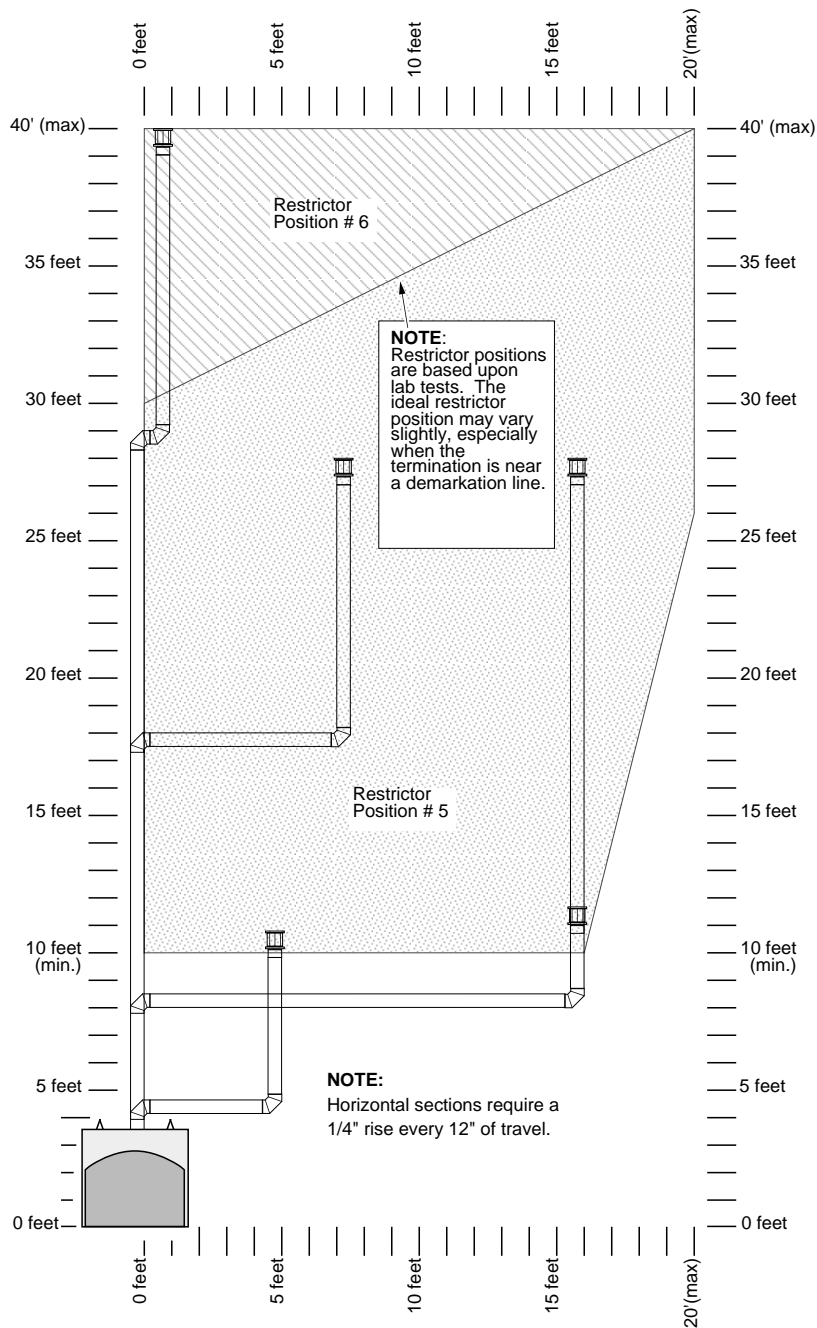
**NOTE:**

- A total of three elbows must be used.
- No horizontal elbows may be used (a horizontal elbow is defined as an elbow that directs the vent from a horizontal direction to another horizontal direction).
- Two 45° elbows may be substituted for two of the 90° elbows.
- Horizontal sections require a 1/4" rise every 12" of travel.
- The maximum vertical height is 19'.
- The maximum horizontal length is 20'.



## Vertical Terminations with Two Vertical 90° Elbows

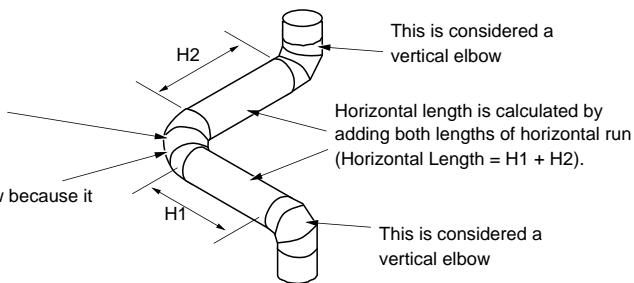
The termination must fall within the shaded area shown in the chart. Use the indicated restrictor position.



**NOTE:**

- One horizontal elbow is allowed. It may be a 45° or 90° elbow.

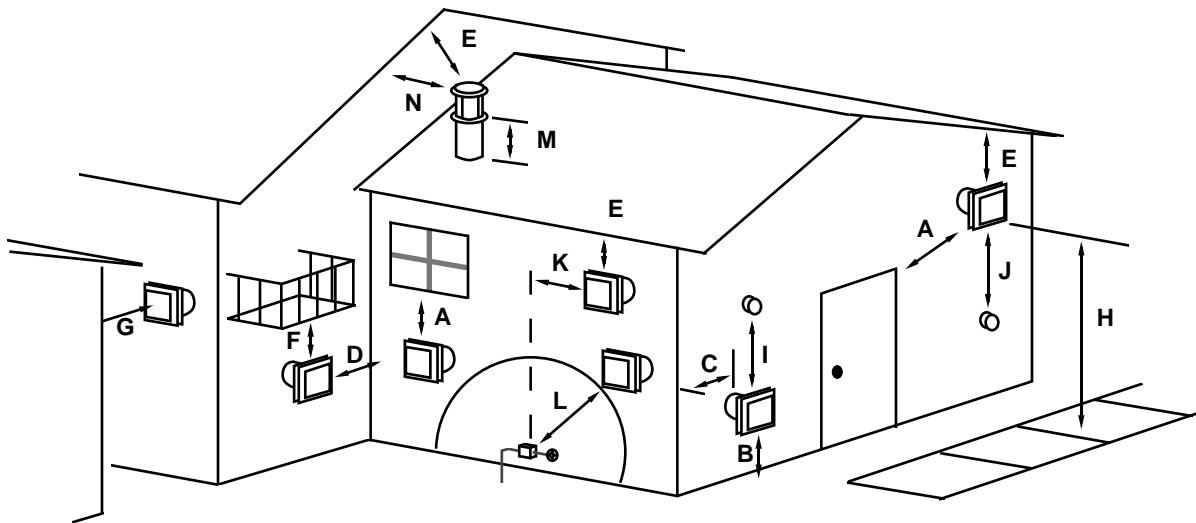
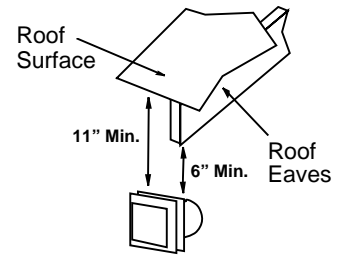
This is considered a horizontal elbow because it is between two horizontal sections.



## Termination Requirements *(see the illustration below)*

**!** Venting terminals shall not be recessed into a wall or siding.

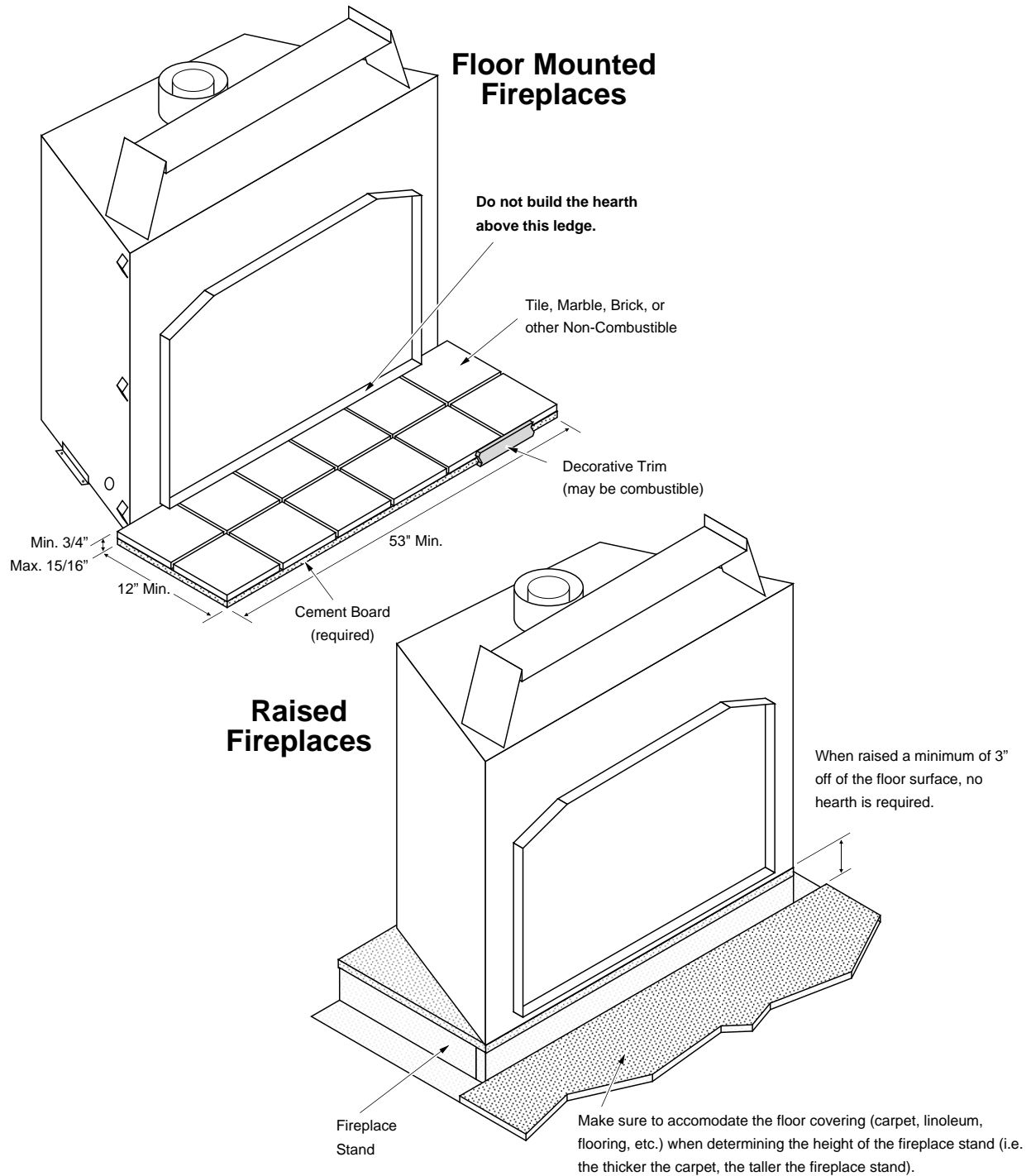
- A Minimum 9" clearance from any door or window
- B Minimum 12" above any grade, veranda, porch, deck or balcony
- C Minimum 12" from outside corner walls
- D Minimum 12" from inside corner walls
- E Minimum 11" clearance below unventilated soffits or roof surfaces  
Minimum 18" clearance below ventilated soffits  
Minimum 6" clearance from roof eaves
- NOTE:** Vinyl surfaces require 24"
- F Minimum 18" clearance below a veranda, porch, deck or balcony (must have two open sides)
- G Minimum 48" clearance from any adjacent building
- H Minimum 84" clearance above any grade when adjacent to public walkways or driveways  
**NOTE:** may not be used over a walkway or driveway shared by an adjacent building
- I Minimum 48" clearance from any mechanical air supply inlet
- J Minimum 36" clearance above and 48" below and to the sides of non-mechanical air supply inlet
- K Minimum 36" from the area above the meter/regulator (vent outlet)
- L Minimum 36" from the meter/regulator (vent outlet)
- M Minimum 12" above the roof line (for vertical terminations)
- N Minimum 24" horizontal clearance to any surface (such as an exterior wall) – for vertical terminations



**NOTE:** Measure clearances to the nearest edge of the exhaust hood.

- Use the vinyl siding standoff (#1250) when installing on an exterior with vinyl siding.
- Vent termination must not be located where it will become plugged by snow or other material
- These clearances meet UMC-1994 standards.

**Hearth Requirements**



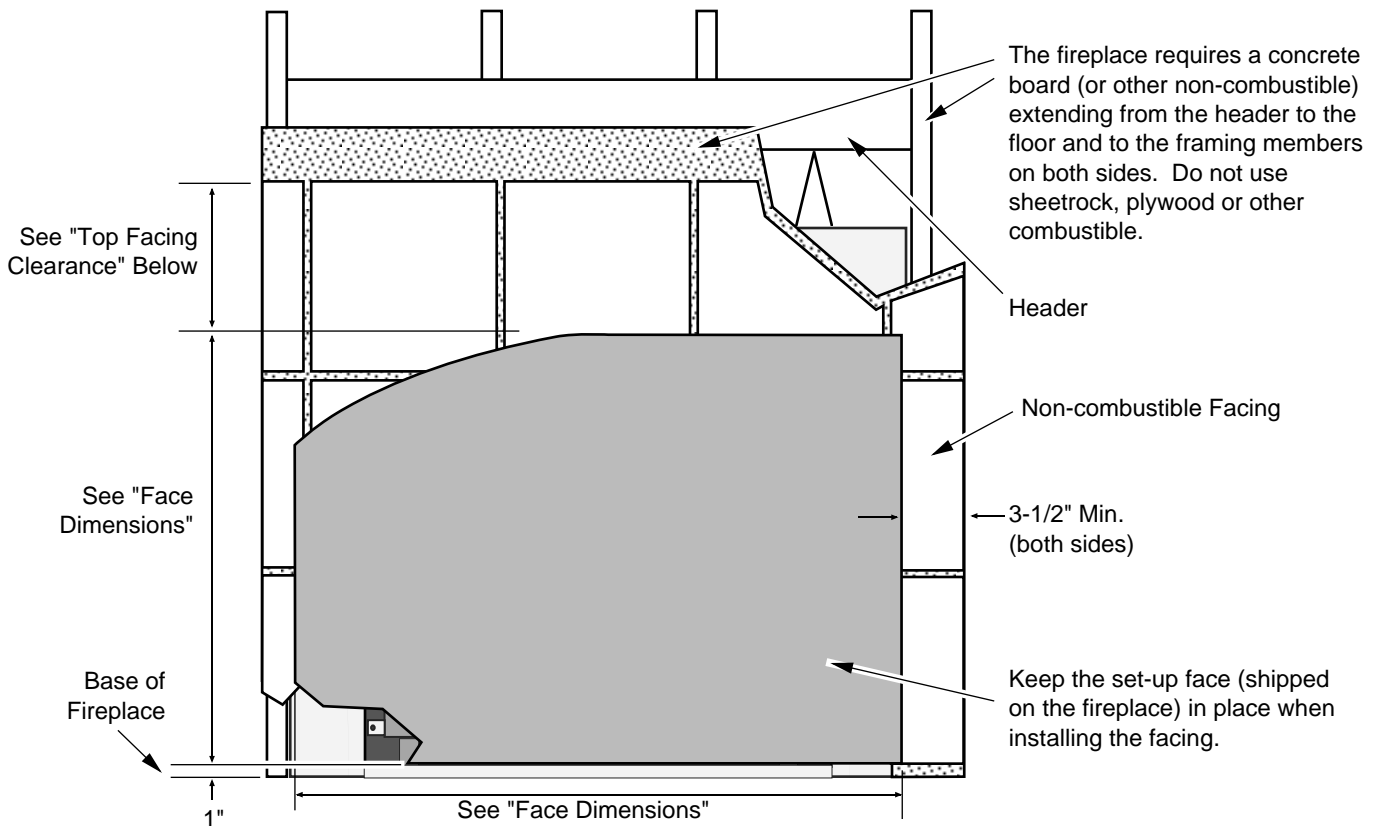
## Facing Requirements

NOTE: The combustible area above the facing must not protrude more than 3/4" from the facing. If it does, it is considered a mantel and must meet the mantel requirements listed in this manual.



**WARNING:** Do not use adhesive to secure the cement board or facing. The high temperatures of the fireplace may cause adhesives to emit odors. Use mastic or thin set (or other non-combustible, non-odorous adherent) to attach the facing to the cement board.

NOTE: Screws may be used to secure the cement board to the fireplace. Do not penetrate the fireplace more than 3/4"

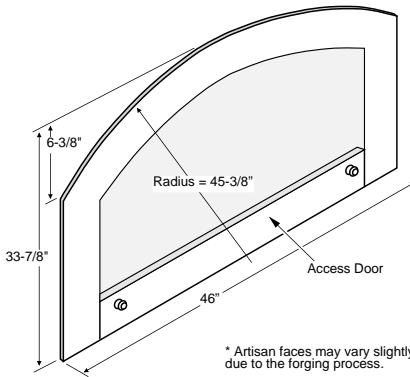


### Minimum Top Facing Clearance

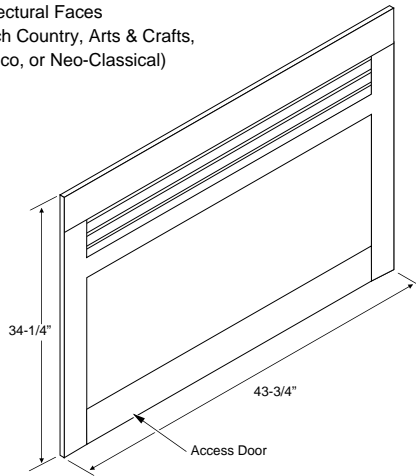
Arch Face	14"
Architectural Face	12"
(Arts & Crafts, Art Deco, Neo-Classic, and French Country Faces)	

## Face Dimensions

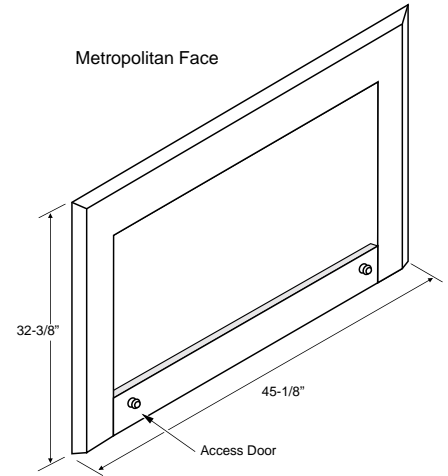
Classic Arched  
(Gold, Black, or Artisan\*)



Architectural Faces  
(French Country, Arts & Crafts,  
Art Deco, or Neo-Classical)

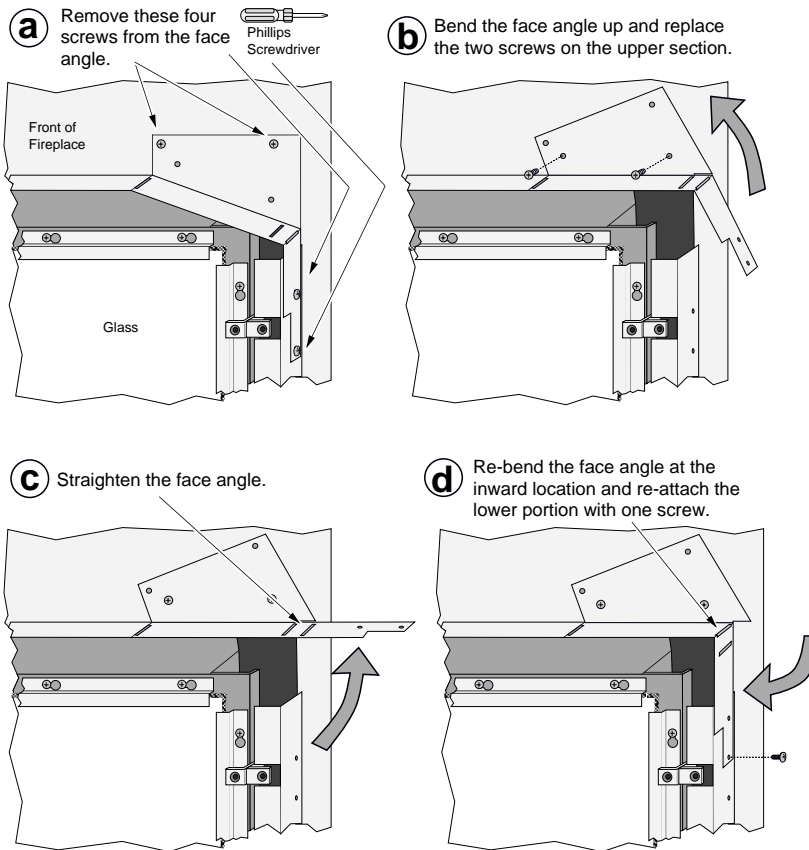


Metropolitan Face



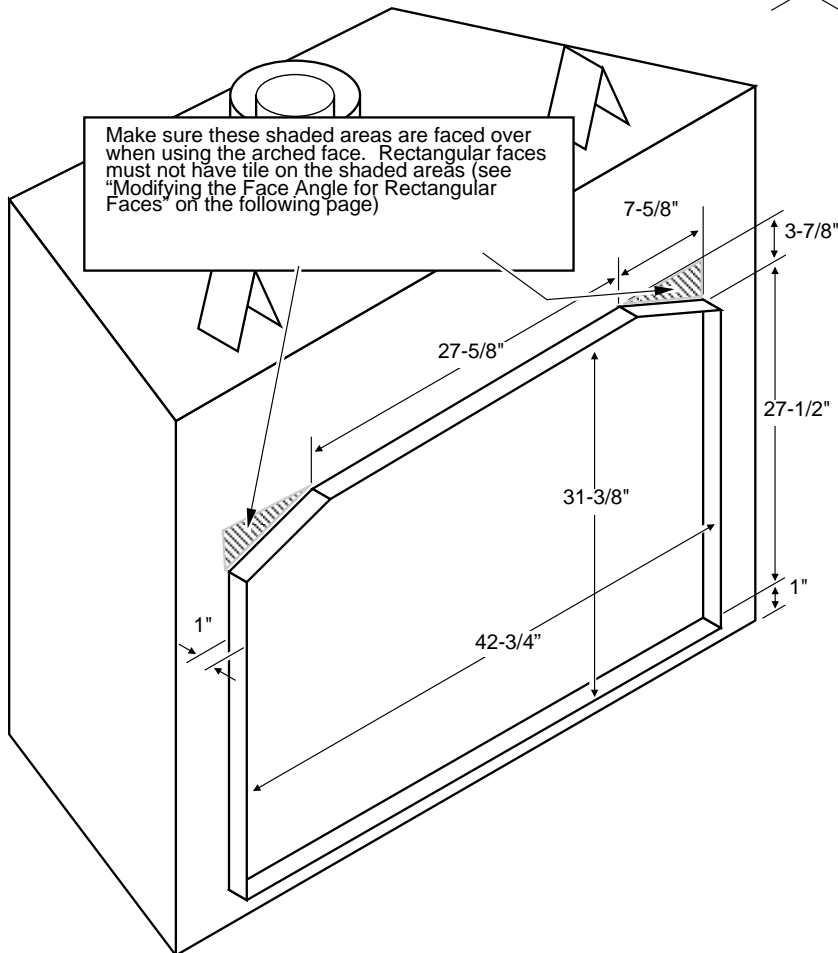
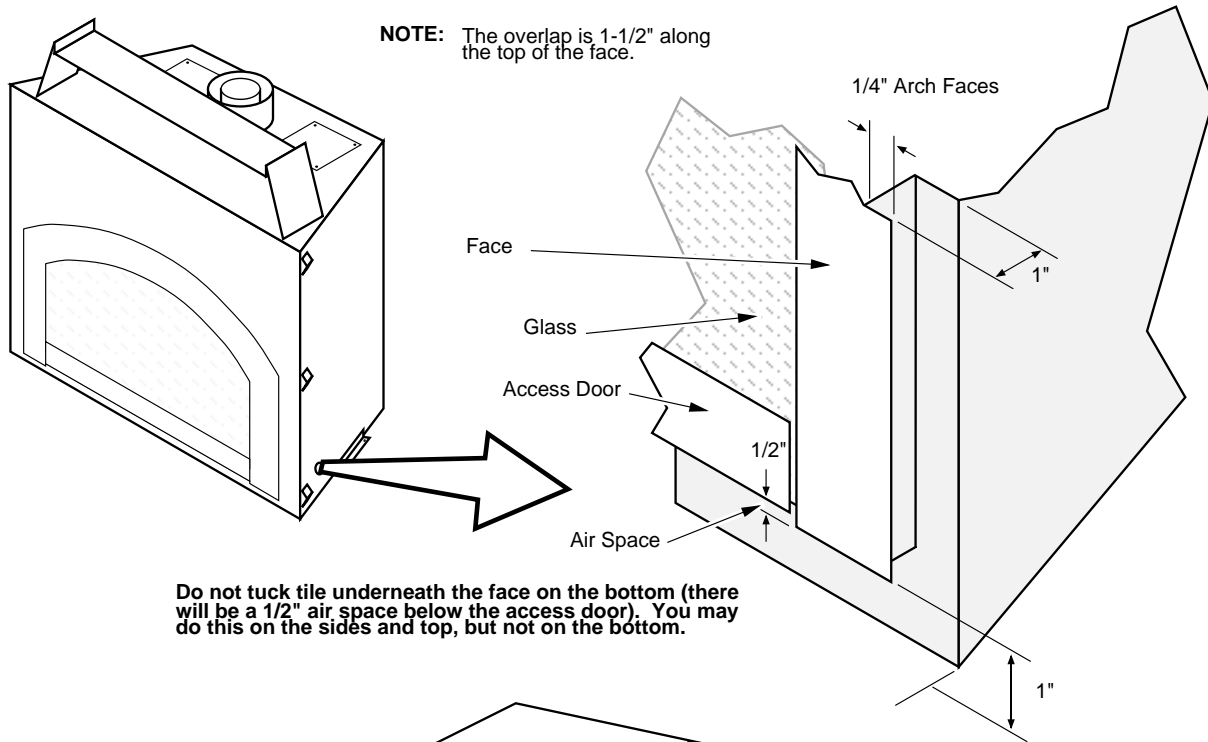
## Modifying the Face Angle for Rectangular Faces

If using a rectangular face, adjust the face angles at the top corners of the glass (see illustration below).





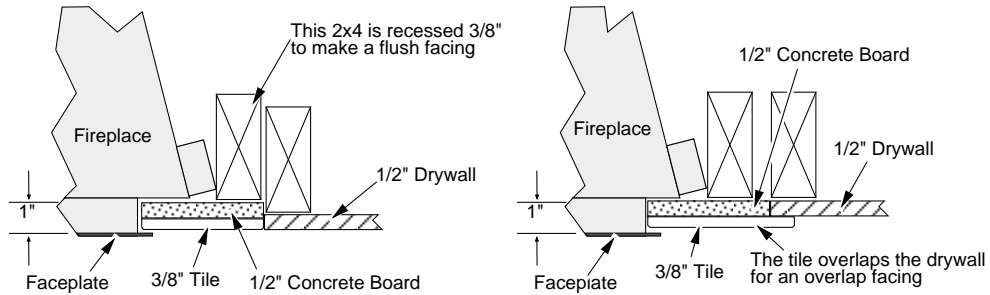
## Fireplace Facing Detail



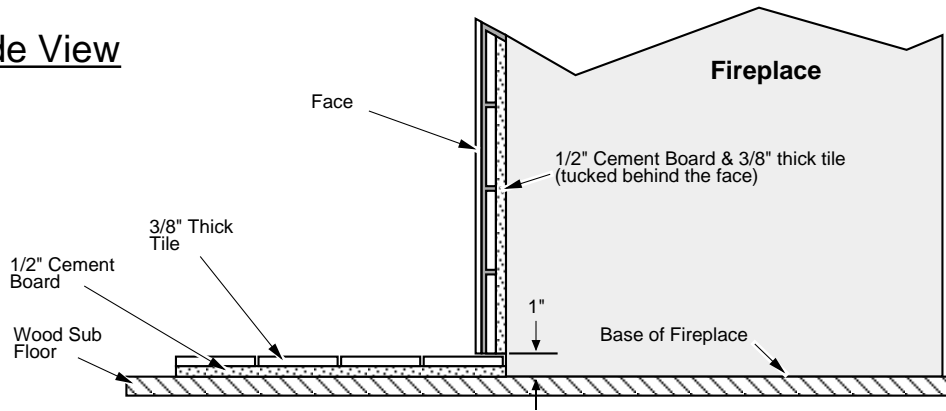
## Facing Example - Facing Under 1" Thick

- To achieve a facing that is flush with the drywall to the side of the fireplace, recess the framing directly next to the fireplace. See the illustration below.

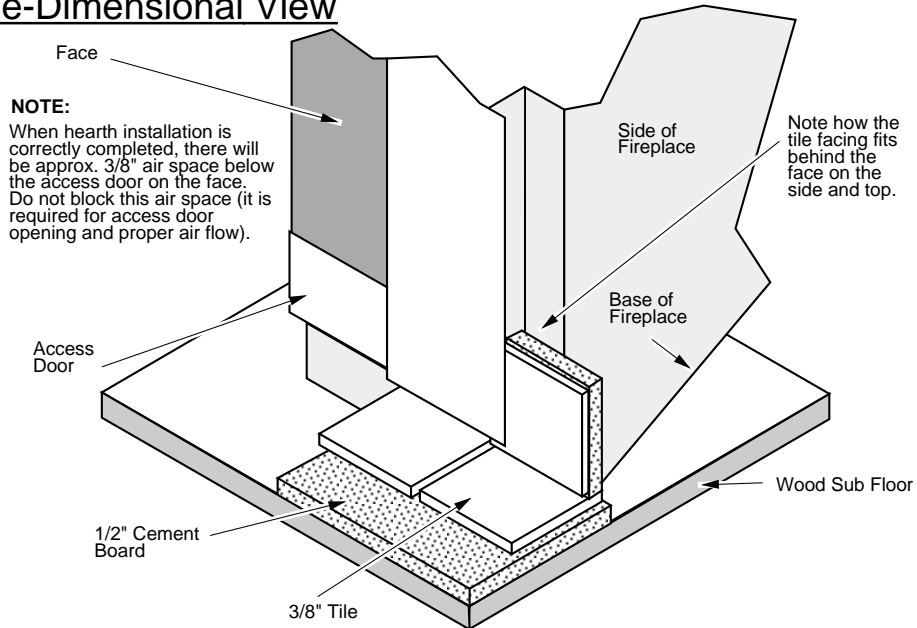
### Top View



### Side View



### Three-Dimensional View



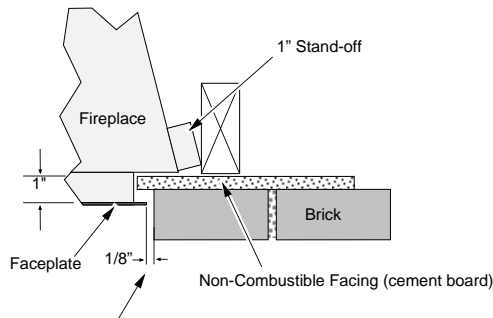
**WARNING:** Do not install cement board underneath the fireplace. To do so would leave a large gap underneath the finish faceplate sides.

## Facing Example – Facing Over 1” Thick

**Arched Faces:** For facing material over 1” thick (e.g. brick, river rock), install the facing around the perimeter of the set-up face shipped with the fireplace. See the illustration below.

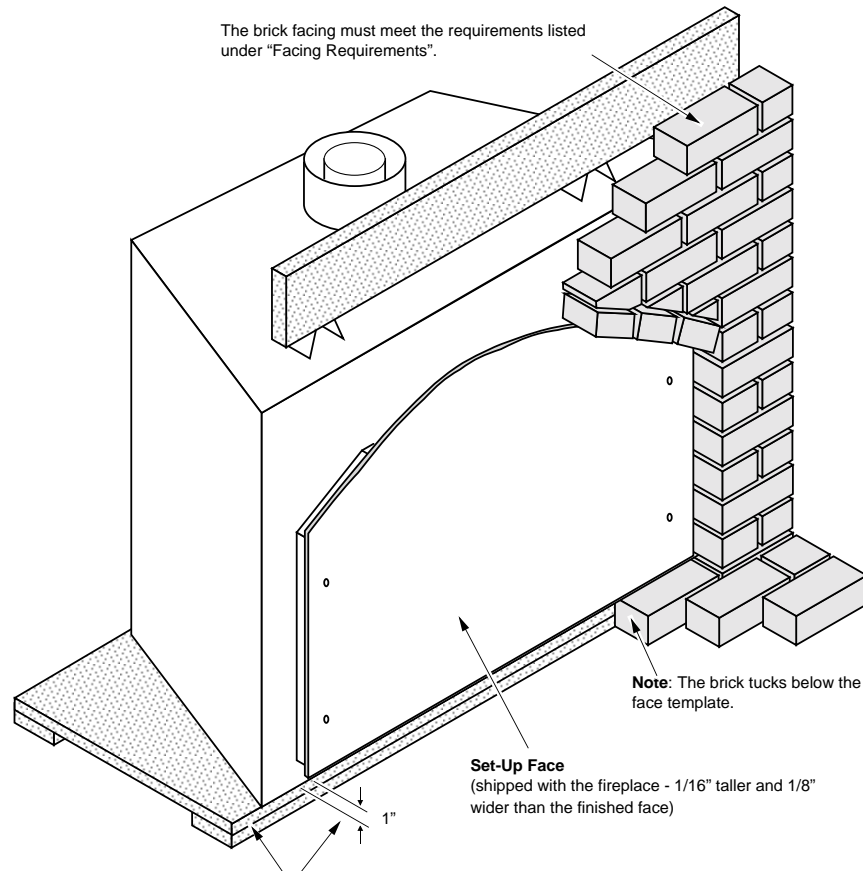
**Rectangular Faces:** For facing material over 1” thick (e.g. brick, river rock), install the facing material with a 1/8” gap to side side of the face and 3/8” gap along the top of the face (for face installation). Use the face being installed to create a form to support the facing as it is being installed.

### Top View



**NOTE:** a 3/8” gap is required along the top of the face for architectural faces.

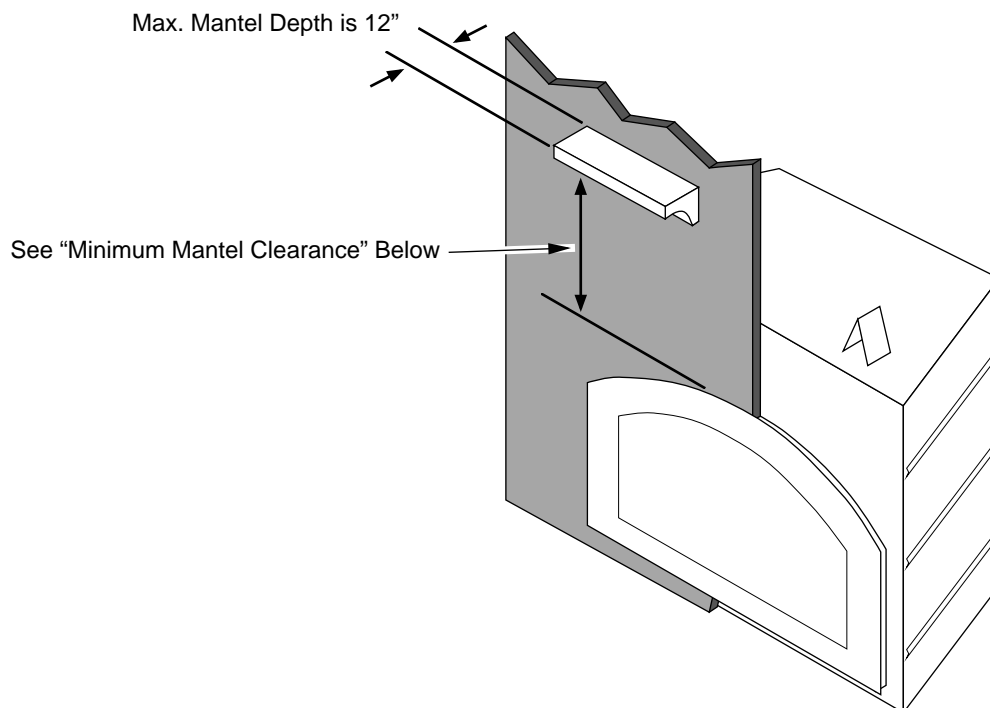
### 3-d View



**Note:** if using a brick hearth, the fireplace will need to be raised to accommodate the 1” gap between the face and the base of the fireplace. For 2-1/2” thick brick this works out to approximately 1-1/2” (we recommend 1-5/8” to accommodate irregular surfaces).

**Mantel Requirements**

- The combustible area above the facing must not protrude more than 3/4" from the facing. If it does, it is considered a mantel and must meet the mantel requirements listed in this manual.

**Combustible or Non-Combustible Mantels****Minimum Mantel Clearance**

Arch Face 20"

Architectural Face 16"

(Arts & Crafts, Art Deco, Neo-Classic,  
and French Country Faces)

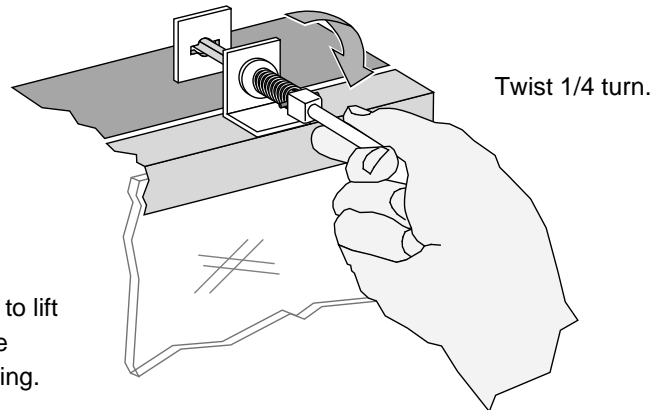
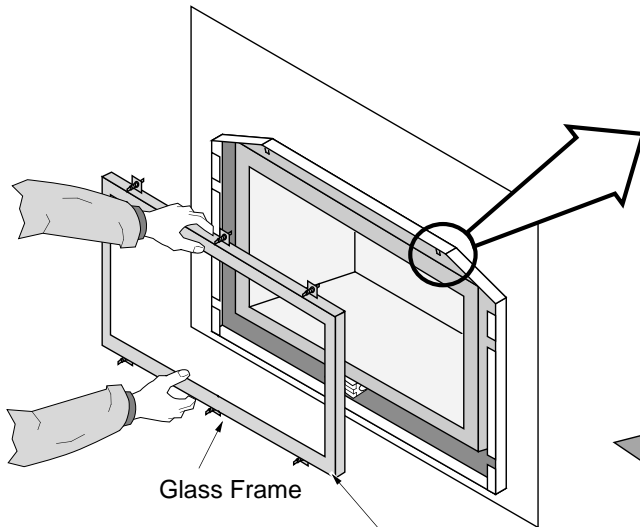
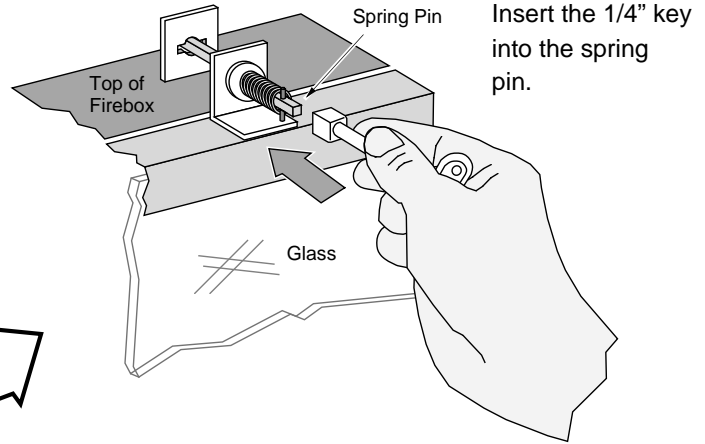
1 Remove the glass (and arch covers) following the directions below.

**Warning:** The appliance must be completely cool before removing the glass.

**Warning:** To prevent damage, do not abuse, strike, or slam the glass shut.

**Note:** Attach the arch covers after re-installing the glass.

**a** Open the six latches holding the glass frame in place (start with the bottom three) - follow the directions shown to the right.

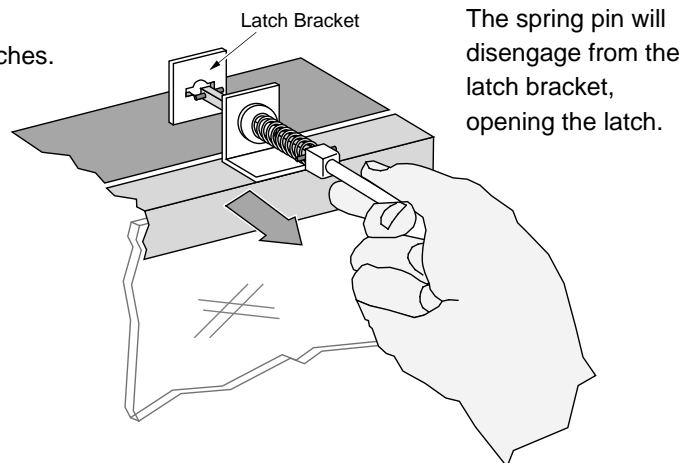


**b** Lift the glass frame up and pull it forward to remove.

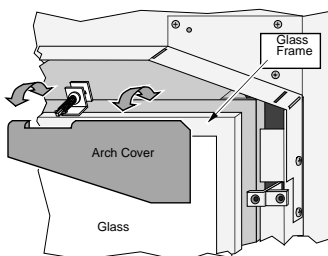
**NOTE:** You may need to lift the glass frame while re-attaching.

**Re-Attaching the Glass Frame:**

- a) Hang the glass frame on the firebox.
- b) While holding in place, attach the upper latches (follow the instructions to the right in reverse).
- c) Lift the glass frame slightly and attach the lower latches.



**Arch Covers (both sides)**



The arch covers (included in the owner's pack) block light from exiting the scroll work on arched faces. The covers hang on the glass frame.

**Arch Faces:** Attach arch covers before installing the face.

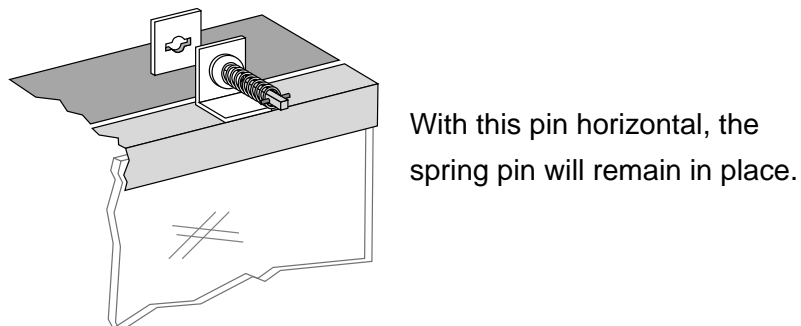
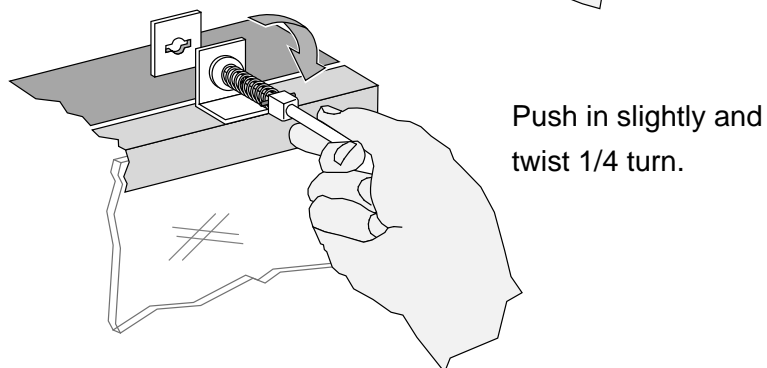
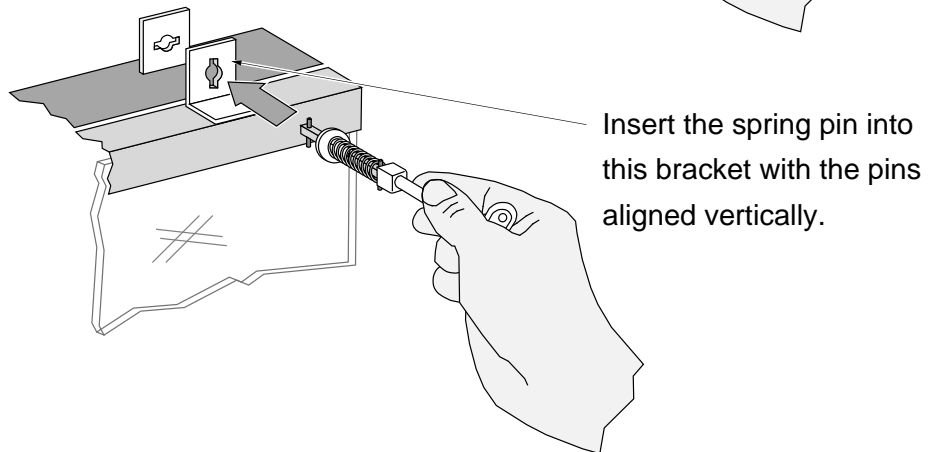
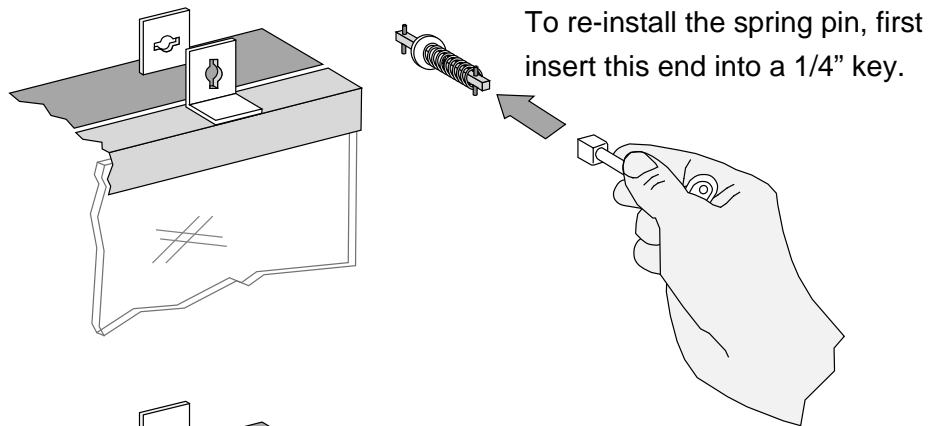
**Rectangular Faces:** Discard the arch covers.

# 30 Finalizing the Installation (for qualified installers only)

## Glass Frame Removal and Installation (continued)

The spring pin can come loose from the latch assembly. This occurs when it is turned 1/4 turn when it is disengaged. Follow the directions below to re-install the spring pin if it becomes loose.

**NOTE:** The spring pins can be installed with the glass frame in place or removed.



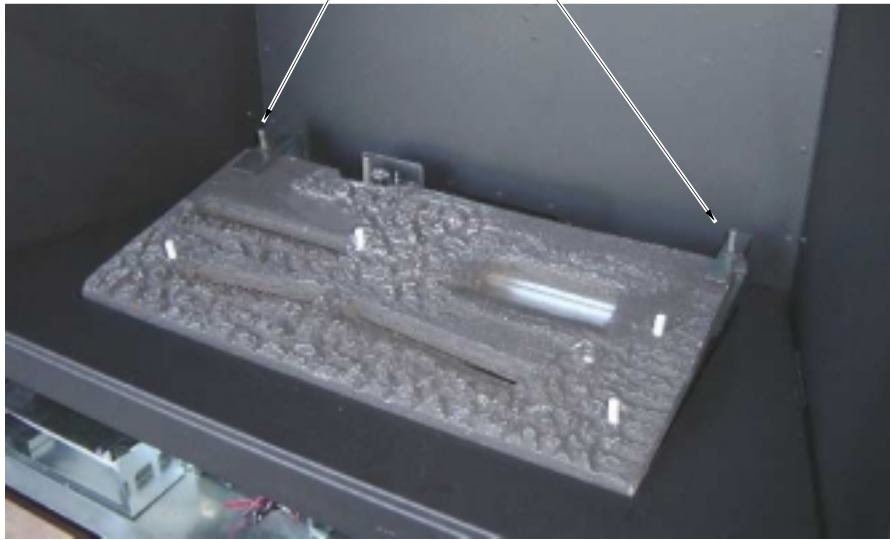
- ? If converting this unit to propane, do so now (see the instructions on page 47).
- 2 Install the rock wool, log set, kibbles, and embers (if using the decorative fireback, install it prior to the log set).

**Warning:** Failure to position the parts in accordance with these diagrams or failure to use only parts specifically approved with this appliance may result in property damage or personal injury.

**Note:** If you have converted this appliance to propane (LP), the front burner air shutter may require adjustment. The front air shutter is adjusted with the logs removed.

## *(a) Place the Rear Log*

Place the rear log on these metal plates. Line up the holes in the log with these pins.



Push to log back until the pins stop the log. The log should not contact the back wall.



## 32 Finalizing the Installation (for qualified installers only)

### *(b) Place the Middle Logs*

Line up the hole in the left middle log with this pin.

Line up the two holes in the right middle log with these bolts (or pins)



After placing the logs, push them backwards to the outside edges contact the rear log





## *(c) Placing the Front Log*

Line up the hole in the front log with this bolt (or pin)



The front log rests on the right middle log.

## 34 Finalizing the Installation (for qualified installers only)

### *(d) Placing the Twigs*

Line up the hole in the left twig with this pin.

Line up the two holes in the right twig with these pins

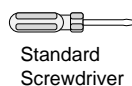


When in position the twigs should look like this.

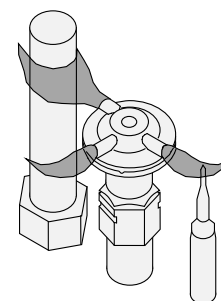
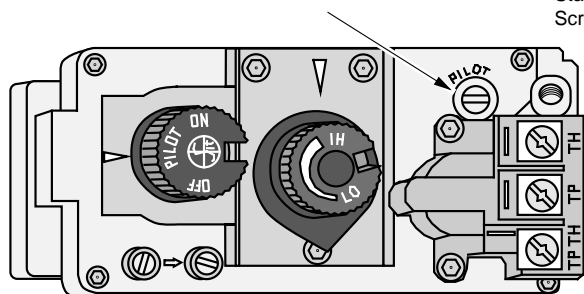


- ! We recommend you purge the gas line at this time (with the glass removed). This allows gas to be detected once it enters the firebox, ensuring gas does not build up.
- 3 Replace the glass (and arch covers when using arched faces - see page 29).
- 4 Turn on the gas to the fireplace. Turn on gas to the heater. Leak test all gas joints prior to starting the appliance. Start the pilot (see page 38). Start the main burner. Leak test all gas joints again.
- 5 Check the pilot flame to make sure it looks like the illustration below. Adjust the pilot flame if necessary.

To adjust the pilot flame, turn this screw (NOTE: if totally unscrewed gas will come out of this port). Clockwise lowers the flame while counter-clockwise raises it.

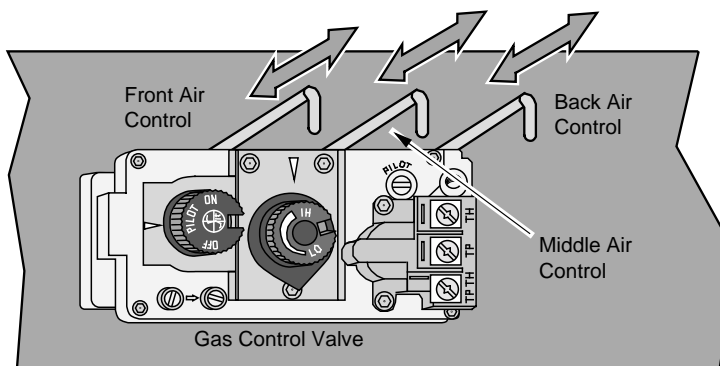


The pilot flame must contact the thermocouple and thermopile (see the illustration below). Adjust the pilot up or down as necessary.



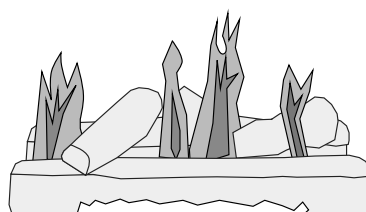
- 6 Let the heater burn for fifteen minutes. Adjust the rear air shutter, if necessary, to achieve the correct looking flame (see the illustration below).
- The air shutters adjust the amount of air that mixes with the gas before it exits the burner holes. They are used to fine-tune the flame for differences in altitude and vent configuration.

This heater uses three air controls. Adjust the controls in or out until the flame looks correct. Pushing in gives the flame less air (making it more orange). Pulling out gives the flame more air, making it more blue.



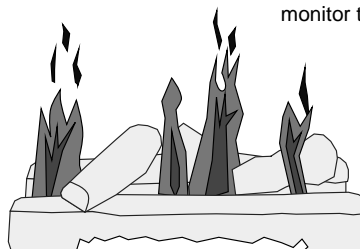
**NOTE:** If the air control is all the way open, yet the flames remain sooty, shut off gas to the fireplace and contact a qualified gas service technician.

**NOTE:** The logs must be installed correctly to monitor the flame while adjusting the air shutter.



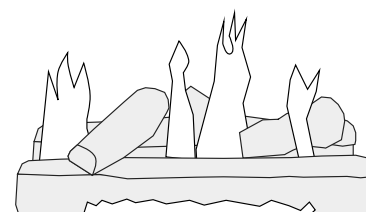
**Correct**

Flames should be blue at the base, yellow-orange on the top.



**Not Enough Air**

If the flames are over 14" tall or sooty on the ends, open the air shutter.



**Too Much Air**

If the flames are all blue and short, close the air shutter.

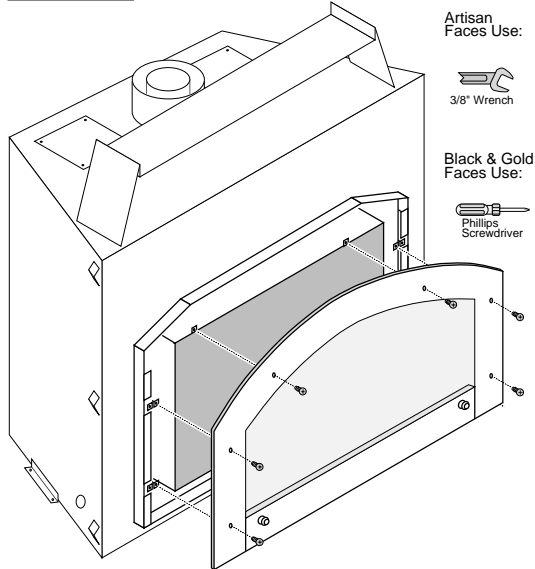
- ! If the air shutters are fully open position, yet the flames remain sooty, shut off gas to the heater and contact your Travis Industries Dealer for a remedy.
- ! If the vent configuration is installed incorrectly the vent may cause the flames inside the fireplace to lift or "ghost" – a dangerous situation. Inspect the flames after installation to insure proper performance. If the vent

## 36 Finalizing the Installation (for qualified installers only)

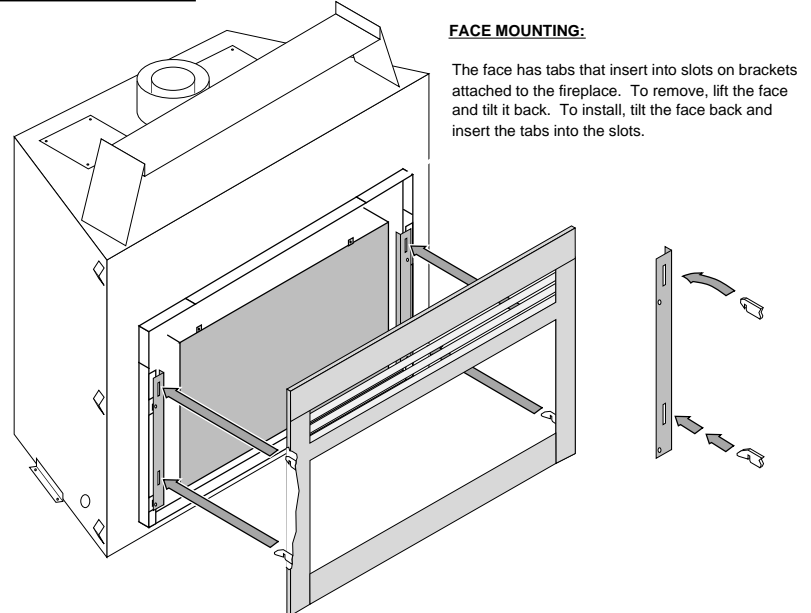
configuration is correct, yet the flames are lifting or ghosting, shut off gas to the fireplace and contact the dealer for information on remedying the problem.

- ! This fireplace has been tested at altitudes up to 8,000 feet. In this testing we have found that the fireplace, with its standard orifice, burns correctly with just an air shutter adjustment. If local codes require resizing the orifice, in the U.S.A. refer to ANSI 223.1, Appendix P, in Canada B-149.1 or B-149.2
- ! **Failure to properly adjust the air shutter may lead to improper combustion and a safety hazard. Consult your dealer or installer if you suspect an improperly adjusted air shutter.**
- 7 Turn the flame adjust knob to its highest position - the flames should be approximately 12" tall. Check the flame on low position. The flames should burn off of each burner hole. If the heater does not work correctly, contact your dealer for a remedy.
- 8 Install the faceplate.
- ! **ACID WASH WARNING:** Before installing the faceplate, make sure any masonry that has been treated with acid wash has been properly neutralized (this is used primarily with brick faces). Acid wash (muriatic acid) is used to remove excess mortar. If not properly neutralized with an ammonia solution, the plated face may develop a permanent tarnish when the acid evaporates over time. Contact your dealer if uncertain your facing has been properly neutralized.

### Arch Faces



### Architectural Faces



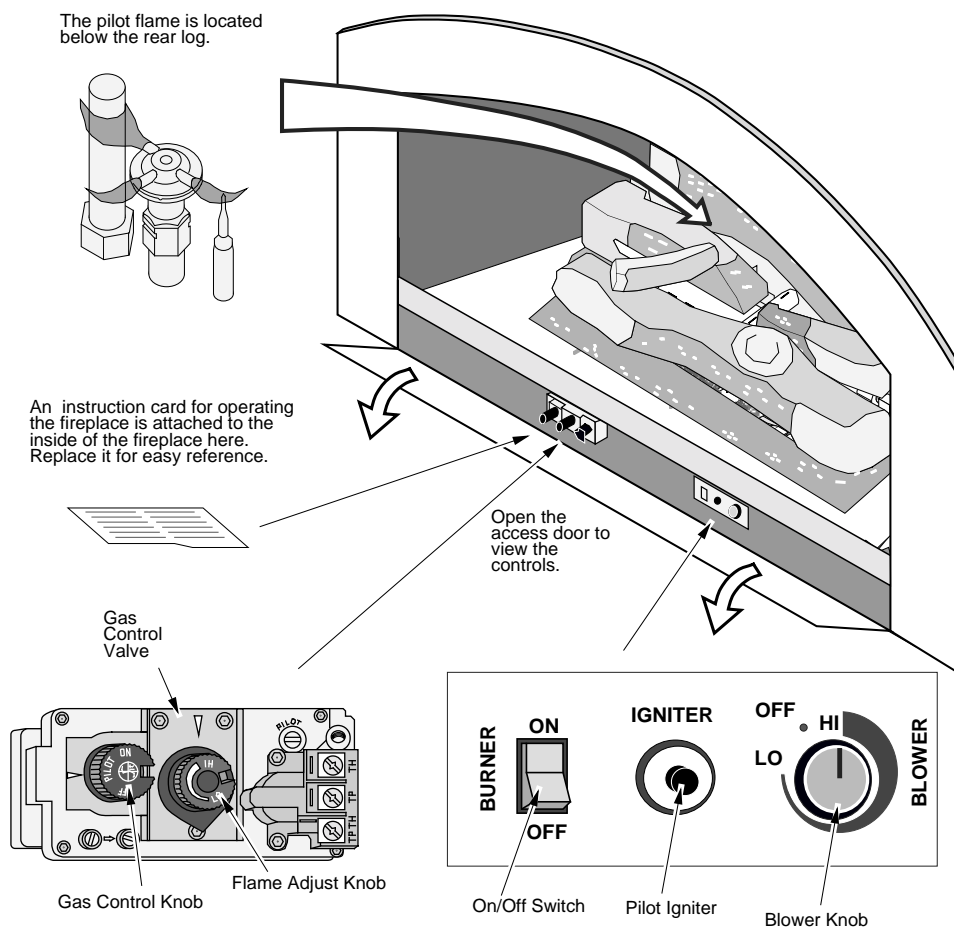
- 9 Give this manual to the home owner and fully explain the operation of this heater.

## Before You Begin

**Warning:** Read this entire manual before you use your new fireplace (especially the section "Safety Precautions" on pages 4 & 5). Failure to follow the instructions may result in property damage, bodily injury, or even death.

**Warning:** Do not operate appliance with the glass front removed, cracked or broken. Replacement of the glass should be done by a licensed or qualified service person.

## Location of Controls - See explanation below



**Blower Knob** This knob controls the speed of the internal convection blower that pushes the heated air into the room.

**On/Off Switch** This control is used to turn the fireplace on and off.

**Pilot Igniter** The pilot igniter is used only to start the pilot. When pressed, it sends an electrical charge to the pilot assembly. This creates a blue spark directly next to the pilot, igniting the pilot flame.

**Gas Control Knob** This knob controls gas to the burner and pilot. There are three positions: ON, OFF, and PILOT. The indicator line is to the left of the knob.

**Flame Adjust Knob** This knob controls the flame height from low ("LO") to high ("HI"). The indicator line is above the knob.

? If using a remote control or thermostat, the On/Off Switch must be left "ON". Turning the On/Off Switch "OFF" will keep the fireplace off always.

## Starting The Pilot Flame

The pilot flame is required to ignite the main burners (it also plays a safety role). It should be left on once lit. It will stay lit unless the gas control valve is turned to "OFF". However, the pilot will go out if the gas is shut off, the propane tank runs out (or low) or if the stove malfunctions. If the pilot turns off frequently, call your dealer for information. To start the pilot follow the directions below:

### **WARNING:**

**When lighting or re-lighting the pilot, the glass must be removed (see page 29).**

- Remove the glass (see page 29 for details).
- Push the gas control knob in slightly and turn it to the "OFF" position. The knob will not turn from "ON" to "OFF" unless the knob is depressed slightly. Wait five minutes to let any gas that may have accumulated inside the firebox escape. If you smell leaking gas, follow the directions on the cover "IF YOU SMELL GAS".
- Turn the gas control knob to the "PILOT" position and press the knob in, this will allow gas to flow to the pilot light. Press the button on the pilot igniter repeatedly until you see the pilot light.

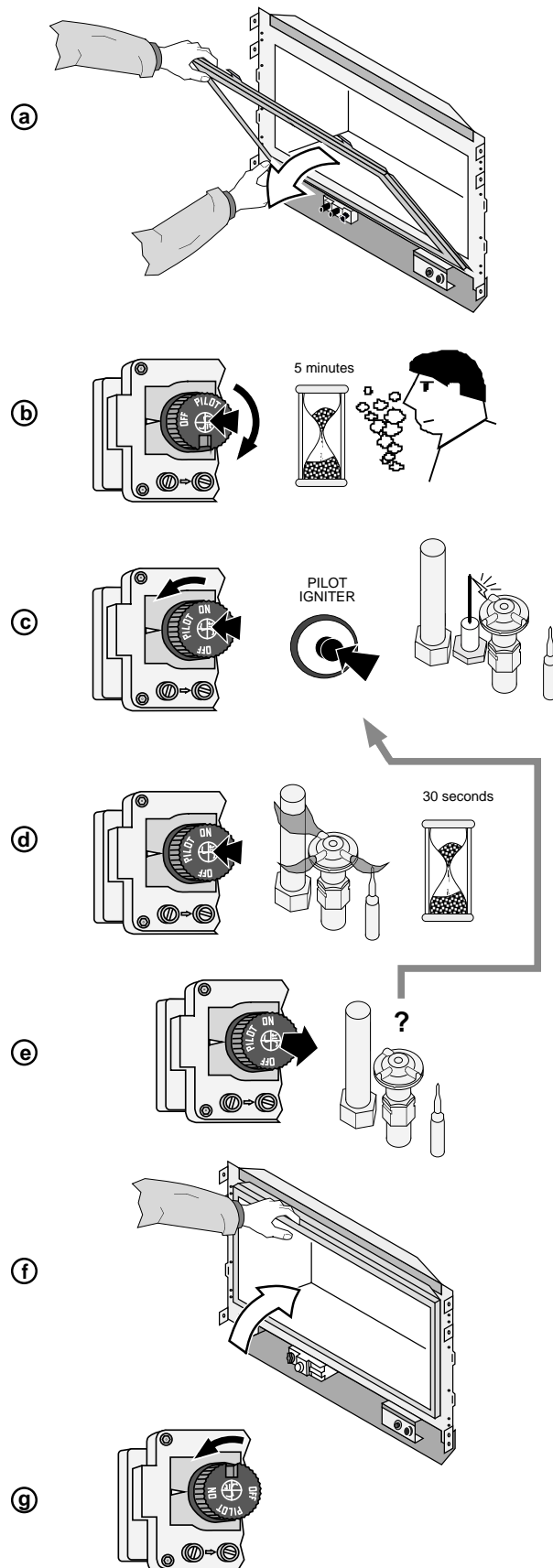
### **WARNING:**

**If the pilot does not light after 15 seconds, release the knob and call your dealer for service. Do not attempt to light pilot until service has been performed.**

### **NOTE:**

**You may wish to remove the log set to gain a better view of the pilot (see page 31).**

- Keep the gas control knob depressed for 30 seconds once it is lit.
- Release the gas control knob. If the pilot goes out, repeat step C. If the pilot refuses to stay lit, call your dealer for service. With the pilot lit, proceed to step "f".
- Replace the glass.
- Turn the gas control knob counter-clockwise to "ON". The pilot is now lit and the heater can be turned on and off.

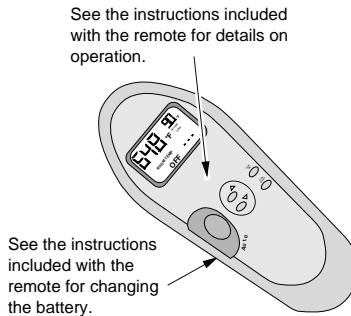
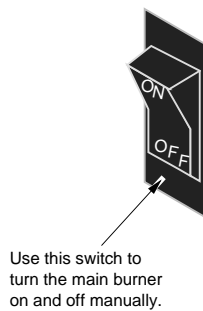


## Starting the Fireplace for the First Time

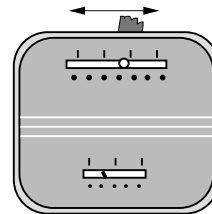
- + Burn the heater at a high setting with the blower off for an extended period (up to 48 hours). This will cure the painted surfaces. **Fumes** from the paint curing and oil burning off the steel will occur. This is normal. We recommend opening a window to vent the room.
- + Dust may accumulate inside the convection area of the heater when left idle. Once the heater is re-started, a "smoky" smell may be created (similar to a baseboard heater when it is re-started).
- + **Condensation** may appear on the glass each time you start the fireplace - this is normal.
- + **Blue Flames** will occur on the fireplace when it first comes on. After fifteen minutes the flames will turn a more realistic yellow and orange color.
- ? Certain installations use a remote "wall switch" to turn the fireplace on and off. If this is the case, leave the ON/OFF switch "ON".

## Turning the Fireplace On and Off

After the pilot has been started...



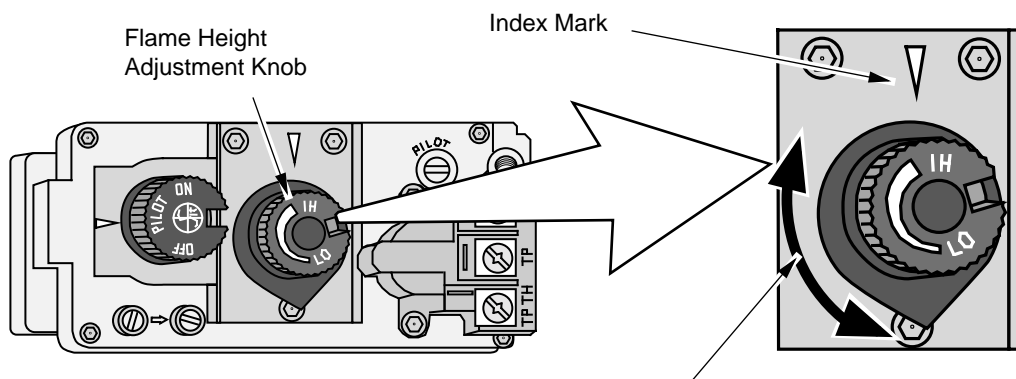
For systems with wall thermostats, use this switch to control the temperature (right is hotter, left cooler). Some systems require the on/off switch to be on.



- ! Do not place any combustible items on top of or directly in front of the fireplace, even temporarily. The optional thermostat may start the fireplace causing a combustible item to ignite.
- ? If the fireplace turns on and off frequently while using the thermostat, you may want to adjust the flame height down until it produces just enough heat needed.

## Adjusting the Flame Height

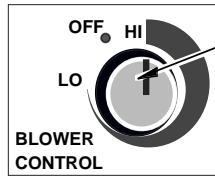
- + Your fireplace has an adjustable flame to tailor the look and heat output to your specific needs. It is adjusted by turning the middle dial on the gas control valve.



Turn counter-clockwise to adjust the flame higher, clockwise to lower.

## Adjusting the Blower Speed

The internal blower helps transfer the heat from the fireplace into the room. It will not turn on until the fireplace is up to temperature (approximately 10 minutes after starting). See the illustration below for instructions on adjusting the blower speed.



Blower Knob

Turn the knob all the way counter-clockwise to turn the blower off. One click clockwise turns the blower to high speed. Turning the knob clockwise from the high position decreases the speed of the blower.

## Optional Power Heat Duct

Allow the fireplace to reach normal operating temperature. Then use the wall-mounted rheostat to operate the blower speed. The blower will automatically shut off after the fireplace cools.

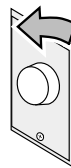
### OFF

Turn the dial all the way counter-clockwise until it clicks off.



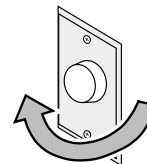
### HIGH

The high position is all the way counter-clockwise, **without** clicking off.

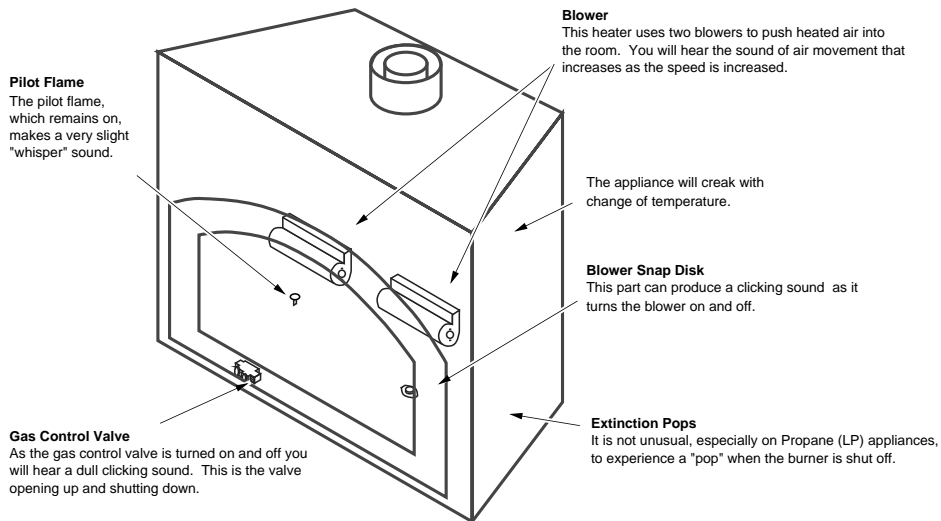


### LOW

Turn the dial all the way clockwise.



## Normal Operating Sounds



## Normal Operating Odors

This appliance has several areas that reach high temperatures. Dust or other particles on these areas may burn and create an odor. This is normal during start-up. You may notice the smell is more acute if the appliance was left idle for a long period.

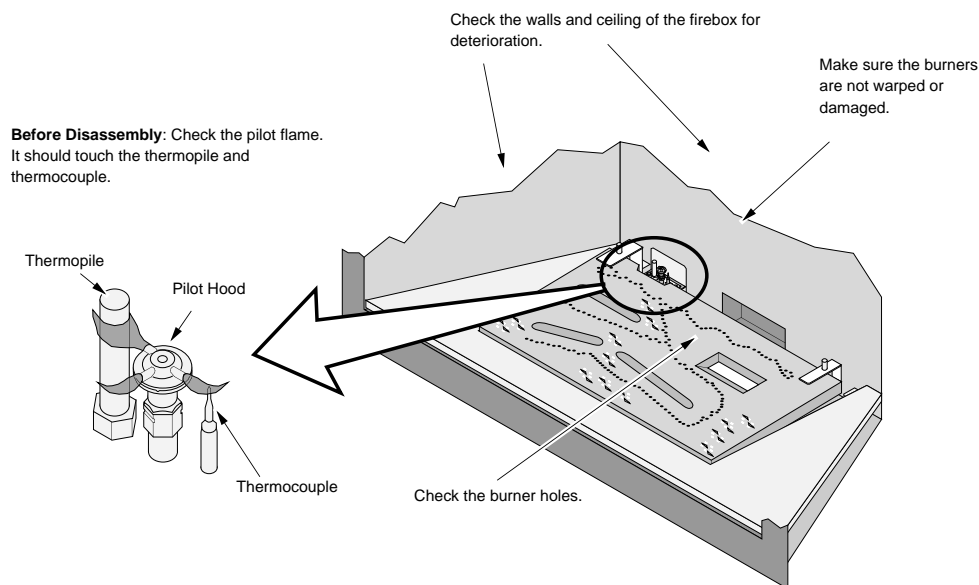


## Maintaining Your Fireplace's Appearance

- ! Fingerprints or other marks left on the optional plated surface may become etched in place if they are not wiped clean prior to turning the heater on. Clean plated surfaces with denatured alcohol and a soft cloth (make sure the fireplace is cool). Other cleaners may leave a film that may become etched into the plated surface.
- Clean the glass with soap and water (do not use abrasive cleaners). To remove the glass, follow the instructions on page 29.

## Yearly Service Procedure

- ! Failure to inspect and maintain the fireplace may lead to improper combustion and a potentially dangerous situation. The following procedures must be done by a qualified technician.
- 1 Check the pilot flame. It should touch approximately 3/8" of the top of the thermopile and touch the top of the thermocouple (see illustration below). If it does not, contact your dealer for service.
- 2 Shut off gas to the fireplace by turning the gas control knob to "OFF" (see step A under "Starting the Pilot" on page 38). Let the fireplace cool for 15 minutes. Remove the faceplate (see instructions included with face) and glass (see page 29).
- 3 Remove the log set (**NOTE: the logs are very fragile** - see page 31). If severely deteriorated, replace. Check the logs for sooting. A small amount of soot along the bottom of the logs is normal. If excessive sooting is found, the fireplace will require adjustment. Contact your dealer.
- 4 Clean the burner and inspect the following:
  - Check the burner for damage.
  - Check the firebox and area around the pilot to make sure there is no damage.
  - If any problem is found, discontinue use and contact your dealer for service.



- 5 Replace the log set. Replace the glass (if the glass is damaged, replace it). Make sure the gasket along the perimeter of the glass contacts the face of the firebox and forms an air-tight seal. If it does not, re-align or replace the gasket to insure an air-tight seal. Replace the faceplate.
- 6 Inspect the area behind the access door. Clean if necessary. Check the gas control valve and the gas lines. If any damage is found, discontinue use and contact your dealer for service. Clean the air channels and ducts. Clean out the area near the blower (behind the gas control valve).
- 7 Start the pilot and turn on the main burner. The flames should be orange/yellow and not touch the top of the firebox. If the pilot or main burners do not burn correctly, contact your dealer for service. Monitor the blower operation.
- 8 Inspect the glass. If damage is found, replace the glass (with frame) with Travis Industries glass assembly (glass installation is on 29).
- 9 Remove any debris or vegetation near the vent termination. Contact your dealer if any sooting or deterioration is found near the vent termination.
- 10 Inspect the vent sections. If any damage or dis-connection has occurred, contact your dealer for service.

**Troubleshooting Table**

<b>Problem:</b>	<b>Possible Cause:</b>	<b>Don't Call for Service Until You:</b>
<b>Pilot Will Not Light</b>	A gas shut off valve is turned off..... The gas control knob isn't turned to "PILOT"..... The valve control knob isn't pushed in..... The igniter wasn't pressed repeatedly..... No Propane in Tank.....	Check all gas shut off valves See "Starting the Pilot Light" Step C See "Starting the Pilot Light" Step C See "Starting the Pilot Light" Step C Check Tank Level
<b>Main Burners Will Not Start</b>	The pilot light has gone out..... The gas control valve is turned to "PILOT" or "OFF" The ON/OFF switch is turned to "OFF"..... The remote control is not working correctly..... The thermostat is disconnected or set too low....	See "Starting the Pilot Light" See "Starting the Pilot Light" Turn the ON/OFF switch to "ON" See the remote control instructions See "Thermostat Operation"
<b>Remote Control Does Not Work</b>	The pilot light has gone out..... The gas control valve is turned to "PILOT" or "OFF" The ON/OFF switch is turned to "OFF"..... The remote is too far away from the fireplace..... The remote control receiver is turned "Off"..... One of the two remote control batteries is dead..	See "Starting the Pilot Light" See "Starting the Pilot Light" Turn the ON/OFF switch to "ON" Use the remote closer to the fireplace See the remote control instructions See the remote control instructions
<b>Thermostat Does Not Work</b>	The pilot light has gone out..... The gas control valve is turned to "PILOT" or "OFF" The ON/OFF switch is turned to "OFF"..... The thermostat is set too low.....	See "Starting the Pilot Light" See "Starting the Pilot Light" Turn the ON/OFF switch to "ON" See "Thermostat Operation"
<b>Fireplace Will Not Distribute Heat</b>	The fireplace is not getting electricity..... The fireplace is not up to temperature.....	Check the breaker switch See "Operating Your Fireplace"
<b>Pilot Goes Out Once A Month Or More</b>	The gas supply has been shut off.....	Keep the gas supply turned on
<b>Flames Are Too Blue</b>	The fireplace has just been started..... Improper air shutter adjustment.....	This is normal - see "Starting the Fireplace for the First Time" Adjust Air Shutter - contact your dealer
<b>Flames Are Too Short (Under 6")</b>	The flame height may be turned too low.....	Turn the flame height to "HI" - See "Adjusting the Flame Height"
<b>Thin Layer of Soot Covers the Glass</b>	The logs or coals are placed incorrectly..... Improper air shutter adjustment.....	See "Log Set Installation & Removal" Adjust Air Shutter - contact your dealer

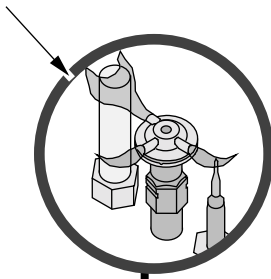
## How this Fireplace Works

! This fireplace was designed with safety as the primary concern. Many of the components inside this fireplace are for safety purposes. Therefore, only certified gas service technicians should service this fireplace.

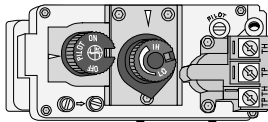
### What Turns the Main Burners On and Off

This fireplace uses a millivolt system to control its operation (a millivolt is a very small amount of electricity). The thermopile and thermocouple generate electricity when heated by the pilot flame. This electricity is used to operate the gas valve. Without enough electricity, the gas valve will not turn on. That is why when starting the pilot the gas control knob has to be pressed in long enough for the thermocouple to heat up and generate enough electricity. The thermopile provides power for the ON/OFF switch, remote control, or thermostat (see the illustration below). Because the thermopile generates the electricity needed to turn the fireplace on and off, this fireplace can be operated when the power is out (although the blower will not run).

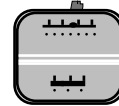
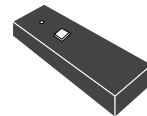
When heated, the thermopile generates electricity (a very small amount measured in "Millivolts").



This electricity is used to operate the main burners.



The main burners are switched on and off using the electricity generated by the thermopile. The ON/OFF switch, remote control, or thermostat control the circuit to the main burner.

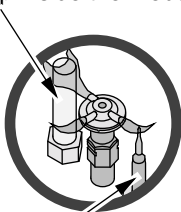


### What Prevents Gas Buildup

- + This appliance utilizes a high-technology gas valve in conjunction with a pilot flame to ensure no gas builds up inside the firebox.
- + The thermocouple (next to the pilot) senses when the pilot flame is lit. If the pilot flame goes out, this thermocouple no longer generates electricity, causing the gas valve to automatically shut off all gas to the heater, preventing the pilot from spilling gas into the firebox.

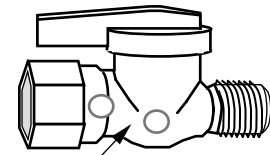
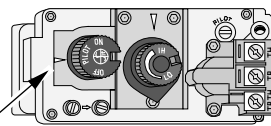
#### Pilot Flame

The pilot flame is a time-proven component that eliminates the possibility of gas buildup inside the firebox.



#### Gas Valve

This high-technology valve automatically shuts off all gas if it does not receive a signal from the thermocouple. If any component is damaged or sensing a malfunction, or if the wiring is damaged, it will shut off all gas.



#### External Shut Off Valve

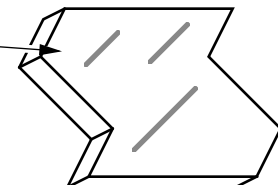
This valve is placed on the gas line to shut off gas to the appliance during maintenance procedures.

#### Thermocouple

The thermocouple generates a small amount of electricity. If the pilot flame goes out, the gas valve automatically shuts off all gas.

#### Ceramic Glass

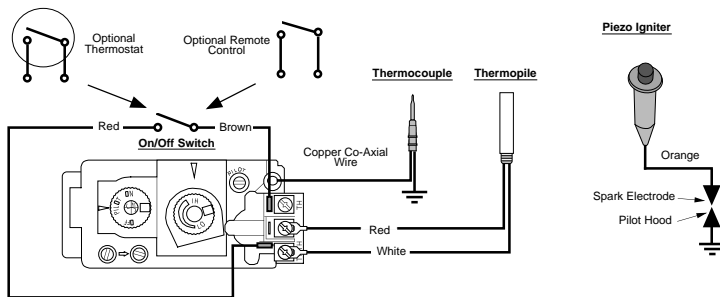
The glass in your heater is the most durable glass available. It has been tested to be extremely resistant to breakage from temperature changes.



## Wiring Diagram

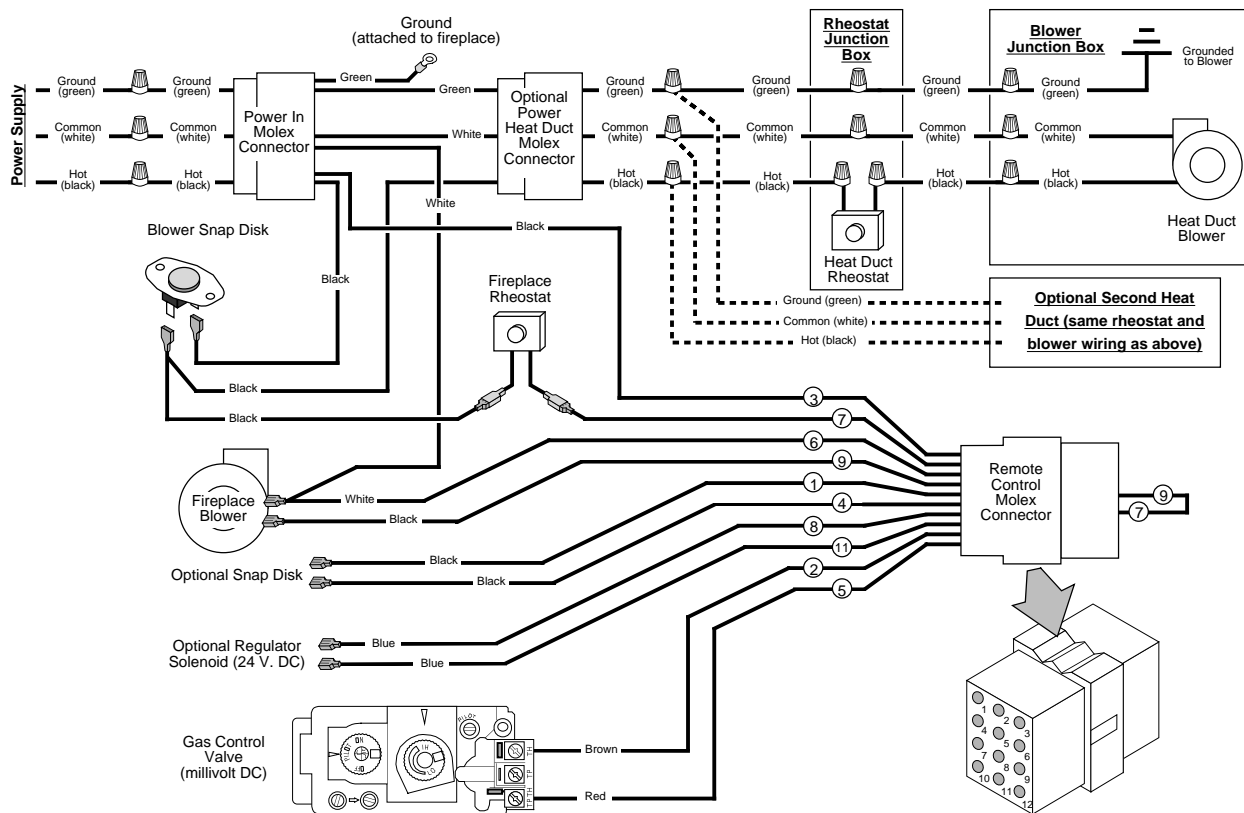
**Caution:** Label all wires prior to disconnection when servicing controls. Wiring errors can cause improper and dangerous operation.

### Millivolt Wiring (for gas control valve)



### 120 Volt Wiring

### Optional Power Heat Duct



## Replacement Parts List

**Caution:** Use only Travis Industries replacement parts. Do not use substitute materials.

The safety (listing) label is on a plate chained to the gas control valve. A copy of the safety label is shown below.

<div style="display: flex; justify-content: space-between; align-items: center;"> <div style="font-size: 8px;">                 Tested &amp; Listed by  Beaverton Oregon USA                  QW-Test Laboratories, Inc.                  Report No. 1025-S-248-5                  Certified for USA             </div> <div style="text-align: center;"> <b>Fireplace Xtordinaire 4</b>                  Vented Gas Fireplace Heater             </div> <div style="background-color: black; width: 100px; height: 20px;"></div> </div> <p style="font-size: 8px;">Tested to: ANSI Z21.88-2002 "Vented Gas Fireplace Heater" and UL 307b-1995 "Gas Burning Heating Appliances for Manufactured Homes".</p> <p style="font-size: 8px;"><b>VENTED GAS FIREPLACE HEATER – NOT FOR USE WITH SOLID FUEL</b></p> <p style="font-size: 8px;">This appliance must be installed in accordance with local codes, if any; if none, follow the National Fuel Gas Code, ANSI Z223.1/NFPA 54.</p> <p style="font-size: 8px;">This vented gas fireplace heater is equipped at the factory for use with natural gas. If conversion to propane (LP) is desired, the optional factory conversion kit must be used.</p> <p style="font-size: 8px;">This appliance is only for use with the type of gas indicated on the rating plate and may be installed in an aftermarket, permanently located, manufactured (mobile) home where not prohibited by local codes. See owner's manual for details. This appliance is not convertible for use with other gases, unless a certified kit is used.</p> <p style="font-size: 8px;">This vented gas fireplace heater is not for use with air filters.</p> <p style="font-size: 8px;">Keep burner and control compartment clean. See installation and operating instructions accompanying appliance.</p> <p style="font-size: 8px;"><b>WARNING:</b> Improper installation, adjustment, alteration, service or maintenance can cause injury or property damage. Refer to the owner's information manual provided with this appliance. For assistance or additional information consult a qualified installer, service agency or the gas supplier.</p> <p style="font-size: 8px;"><b>CAUTION:</b> Do not operate this appliance with glass removed, cracked or broken. Replacement of the panel(s) should be done by a licensed or qualified service person.</p> <p style="font-size: 8px;"><b>CAUTION:</b> Hot while in operation. Do not touch. Severe burns may result. Keep children, clothing, furniture, gasoline and other liquids having flammable vapors away.</p> <p style="font-size: 8px;">This appliance must be properly connected to a venting system in accordance with the manufacturer's installation instructions. Use only approved coaxial direct vent system to vent this appliance to the exterior. See owner's manual for approved brands of venting.</p>	<div style="text-align: center; font-weight: bold; font-size: 10px;">Minimum Clearances to Combustibles</div> <table style="width: 100%; border-collapse: collapse; font-size: 8px;"> <tr> <td>Faceplate to Adjacent Wall .....</td> <td>3-1/2"</td> <td>Hearth Extension in Front .....</td> <td>12"</td> </tr> <tr> <td>Wood Floor Beneath Fireplace .....</td> <td>0"</td> <td>If Fireplace raised 3" Hearth Extension in Front .....</td> <td>0"</td> </tr> <tr> <td>Back to enclosure .....</td> <td>1"</td> <td>Hearth Extension to Sides of Faceplate .....</td> <td>3-1/2"</td> </tr> <tr> <td>Top to enclosure (from stand-offs) .....</td> <td>0"</td> <td>Sides to enclosure .....</td> <td>1"</td> </tr> <tr> <td></td> <td></td> <td>*Faceplate to 8" Mantel (no eyebrow) .....</td> <td>20"</td> </tr> </table> <p style="font-size: 8px;">* See Owner's Manual For Additional Mantel Clearances and Options.</p> <hr/> <table style="width: 100%; border-collapse: collapse; font-size: 8px;"> <thead> <tr> <th></th> <th style="text-align: center; border-bottom: 1px solid black;">L.P.</th> <th style="text-align: center; border-bottom: 1px solid black;">N.G.</th> <th></th> <th style="text-align: center; border-bottom: 1px solid black;">L.P.</th> <th style="text-align: center; border-bottom: 1px solid black;">N.G.</th> </tr> </thead> <tbody> <tr> <td>Input Rate on "HI" (BTU/Hr) .....</td> <td style="text-align: center;">58,000</td> <td style="text-align: center;">58,000</td> <td>Minimum Inlet Pressure (inches W.C.) .....</td> <td style="text-align: center;">11.5"</td> <td style="text-align: center;">5.5"</td> </tr> <tr> <td>Input Rate on "LO" (BTU/Hr) .....</td> <td style="text-align: center;">44,000</td> <td style="text-align: center;">44,000</td> <td>Manifold Pressure on "HI" (inches W.C.) .....</td> <td style="text-align: center;">11"</td> <td style="text-align: center;">3.5"</td> </tr> </tbody> </table> <p style="font-size: 8px;">For natural gas when equipped with the following drill size orifices: Back #44, Center #43, and Front #45</p> <p style="font-size: 8px;">For propane when equipped with the following drill size orifices: Back #55, Center #55, and Front #55.</p> <p style="font-size: 8px;">This appliance is equipped for altitudes above 2,000 feet.</p> <p style="font-size: 8px;">Electrical Rating: 115v, 1.5 Amps, 60 Hz</p> <hr/> <table style="width: 100%; border-collapse: collapse; font-size: 8px;"> <tr> <td style="width: 15%;">Manufacture</td> <td style="width: 5%;">■ 2003</td> <td style="width: 5%;">■ Jan.</td> <td style="width: 5%;">■ Apr.</td> <td style="width: 5%;">■ Jul.</td> <td style="width: 5%;">■ Oct.</td> <td rowspan="3" style="width: 20%; text-align: center; vertical-align: middle;">                  10850 117th Pl. N.E. Kirkland, WA 98033             </td> </tr> <tr> <td>Date:</td> <td>■ 2004</td> <td>■ Feb.</td> <td>■ May</td> <td>■ Aug.</td> <td>■ Nov.</td> </tr> <tr> <td></td> <td>■ 2005</td> <td>■ Mar.</td> <td>■ Jun.</td> <td>■ Sep.</td> <td>■ Dec.</td> </tr> </table> <div style="text-align: right; font-size: 8px; margin-top: 5px;">0361</div>	Faceplate to Adjacent Wall .....	3-1/2"	Hearth Extension in Front .....	12"	Wood Floor Beneath Fireplace .....	0"	If Fireplace raised 3" Hearth Extension in Front .....	0"	Back to enclosure .....	1"	Hearth Extension to Sides of Faceplate .....	3-1/2"	Top to enclosure (from stand-offs) .....	0"	Sides to enclosure .....	1"			*Faceplate to 8" Mantel (no eyebrow) .....	20"		L.P.	N.G.		L.P.	N.G.	Input Rate on "HI" (BTU/Hr) .....	58,000	58,000	Minimum Inlet Pressure (inches W.C.) .....	11.5"	5.5"	Input Rate on "LO" (BTU/Hr) .....	44,000	44,000	Manifold Pressure on "HI" (inches W.C.) .....	11"	3.5"	Manufacture	■ 2003	■ Jan.	■ Apr.	■ Jul.	■ Oct.	10850 117th Pl. N.E. Kirkland, WA 98033	Date:	■ 2004	■ Feb.	■ May	■ Aug.	■ Nov.		■ 2005	■ Mar.	■ Jun.	■ Sep.	■ Dec.
Faceplate to Adjacent Wall .....	3-1/2"	Hearth Extension in Front .....	12"																																																							
Wood Floor Beneath Fireplace .....	0"	If Fireplace raised 3" Hearth Extension in Front .....	0"																																																							
Back to enclosure .....	1"	Hearth Extension to Sides of Faceplate .....	3-1/2"																																																							
Top to enclosure (from stand-offs) .....	0"	Sides to enclosure .....	1"																																																							
		*Faceplate to 8" Mantel (no eyebrow) .....	20"																																																							
	L.P.	N.G.		L.P.	N.G.																																																					
Input Rate on "HI" (BTU/Hr) .....	58,000	58,000	Minimum Inlet Pressure (inches W.C.) .....	11.5"	5.5"																																																					
Input Rate on "LO" (BTU/Hr) .....	44,000	44,000	Manifold Pressure on "HI" (inches W.C.) .....	11"	3.5"																																																					
Manufacture	■ 2003	■ Jan.	■ Apr.	■ Jul.	■ Oct.	10850 117th Pl. N.E. Kirkland, WA 98033																																																				
Date:	■ 2004	■ Feb.	■ May	■ Aug.	■ Nov.																																																					
	■ 2005	■ Mar.	■ Jun.	■ Sep.	■ Dec.																																																					

# Limited 7 Year Warranty

To register your TRAVIS INDUSTRIES, INC. 7 Year Warranty, complete the enclosed Warranty card and mail it within **ten (10)** days of the appliance purchase date to: TRAVIS INDUSTRIES, INC., 4800 Harbour Pointe Blvd. SW, Mukilteo, WA 98275. TRAVIS INDUSTRIES, INC. warrants this gas appliance (appliance is defined as the equipment manufactured by Travis Industries, Inc.) to be defect-free in material and workmanship to the original purchaser from the date of purchase as follows:

**Check with your dealer in advance for any costs to you when arranging a warranty call.  
Mileage or service charges are not covered by this warranty. This charge can vary from store to store.**

## Years 1 & 2 - COVERAGE: PARTS & LABOR

### Burner Assembly:

Burner, Air Shutter Assembly, Main Burner Orifice

### Firebox Assembly:

Adjustable Air Restrictor, Pressure Relief Mechanisms, Glass Frame and Latch

### Electrical Assembly:

Wiring harness, snap discs, Blower, Blower Rheostat

### Gas Control Assembly

Adjustable control valve, millivolt wiring and connectors (located within the appliance), thermopile, thermocouple, pilot hood, orifices, pilot gas line, piezo ignitor

### Ceramic Glass

Glass (breakage from thermal shock)

### Ceramic Logs

Log Set, Coals, Ember Strip (Steel Fiber)

### Accessories

Cast Fireback, Panels, Faceplate (see "Conditions and Exclusions" # 9)

### Convection Heat Exchanger

### Re-Installation Allowance

### One-Way Freight Allowance

**Exclusions:** Paint, Gasketing

## Years 3 THROUGH 5 - COVERAGE: PARTS & LABOR

### Firebox Assembly:

Adjustable Air Restrictor, Pressure Relief Mechanisms, Glass Frame and Latch

### Convection Heat Exchanger

### One-Way Freight Allowance

**Exclusions:** Paint, Gasketing, Burner Assembly, Electrical Assembly, Gas Control Assembly, Ceramic Glass, Ceramic Logs, Accessories (Fireback, Panels, Faceplate), Re-Installation Allowance

## Years 6 & 7 - COVERAGE: PARTS ONLY

### Firebox Assembly:

Adjustable Air Restrictor, Pressure Relief Mechanisms, Glass Frame and Latch

**Exclusions:** Paint, Gasketing, Burner Assembly, Electrical Assembly, Gas Control Assembly, Ceramic Glass, Ceramic Logs, Convection Heat Exchange Accessories (Fireback, Panels, Faceplate), Re-Installation Allowance, One-Way Freight Allowance, Labor

## CONDITIONS & EXCLUSIONS

- This new gas appliance must be installed by a qualified gas appliance technician. It must be installed, operated, and maintained at all times in accordance with the instructions in the Owner's Manual. Any alteration, willful abuse, accident, neglect, or misuse of the product shall nullify this warranty.
- This warranty is nontransferable, and is made to the ORIGINAL purchaser, provided that the purchase was made through an authorized TRAVIS dealer.
- Discoloration and some minor expansion, contraction, or movement of certain parts and resulting noise, is normal and not a defect and, therefore, not covered under warranty. The installer must ensure the appliance is burning as per the rating tag at the time of installation. Over-firing (operation above the listed BTU rate) of this appliance can cause serious damage and will nullify this warranty.
- The warranty, as outlined within this document, does not apply to the chimney components or other Non-Travis accessories used in conjunction with the installation this product. If in doubt as to the extent of this warranty, contact your authorized TRAVIS retailer before installation.
- Travis Industries will not be responsible for inadequate performance caused by environmental conditions such as nearby trees, buildings, roof tops, wind, hills or mountains or negative pressure or other influences from mechanical systems such as furnaces, fans, clothes dryers, etc.
- This Warranty is void if:
  - The unit has been operated in atmospheres contaminated by chlorine, fluorine or other damaging chemicals.
  - The unit is subject to submersion in water or prolonged periods of dampness or condensation.
  - Any damage to the unit, combustion chamber, heat exchanger or other components due to water, or weather damage which is the result of, but not limited to, improper chimney/venting installation.
- Exclusions to this 7 Year Warranty include: injury, loss of use, damage, failure to function due to accident, negligence, misuse, improper installation, alteration or adjustment of the manufacturer's settings of components, lack of proper and regular maintenance, damage incurred while the appliance is in transit, alteration, or act of God.
- This 7 Year warranty excludes damage caused by normal wear and tear, such as paint discoloration or chipping, worn or torn gasketing, corroded or cracked logs, embers, etc. Also excluded is damage to the unit caused by abuse, improper installation, modification of the unit, drilling of the orifices, or the use of fuel other than that for which the unit is configured. Units are shipped for natural gas and must be converted to propane using the included conversion kit. Confirm fuel configuration with your installer.
- Damage to gold or nickel surfaces caused by fingerprints, scratches, melted items, or other external sources left on the gold or nickel from the use of cleaners other than denatured alcohol is not covered in this warranty.
- TRAVIS INDUSTRIES, INC. is free of liability for any damages caused by the appliance, as well as inconvenience expenses and materials. Incidental or consequential damages are not covered by this warranty. In some states, the exclusion of incidental or consequential damage may not apply.
- This warranty does not cover any loss or damage incurred by the use or removal of any component or apparatus to or from the TRAVIS gas appliance without the express written permission of TRAVIS INDUSTRIES, INC. and bearing a TRAVIS INDUSTRIES, INC. label of approval.
- Any statement or representation of TRAVIS products and their performance contained in TRAVIS advertising, packaging literature, or printed material is not part of this 7 year warranty.
- This warranty is automatically voided if the appliance's serial number has been removed or altered in any way. If the appliance is used for commercial purposes, it is excluded from this warranty.
- No dealer, distributor, or similar person has the authority to represent or warrant TRAVIS products beyond the terms contained within this warranty. TRAVIS INDUSTRIES, INC. assumes no liability for such warranties or representations.
- Travis Industries will not cover the cost of the removal or re-installation of hearths, venting or other components.
- If for any reason any section of this warranty is declared invalid, the balance of the warranty remains in effect and all other clauses shall remain in effect.
- This 7 year warranty is the only warranty supplied by Travis Industries, Inc., The manufacturer of the appliance. All other warranties, whether express or implied, are hereby expressly disclaimed and purchaser's recourse is expressly limited to the warranties set forth herein.

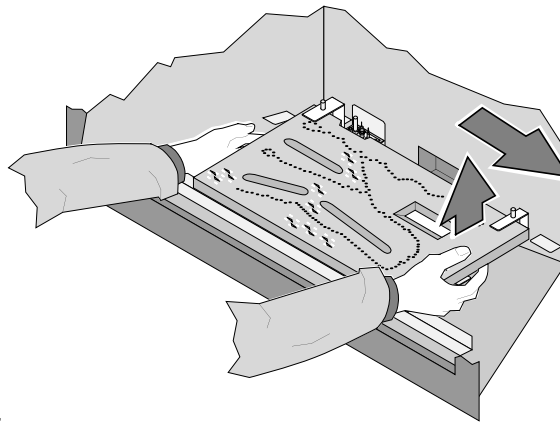
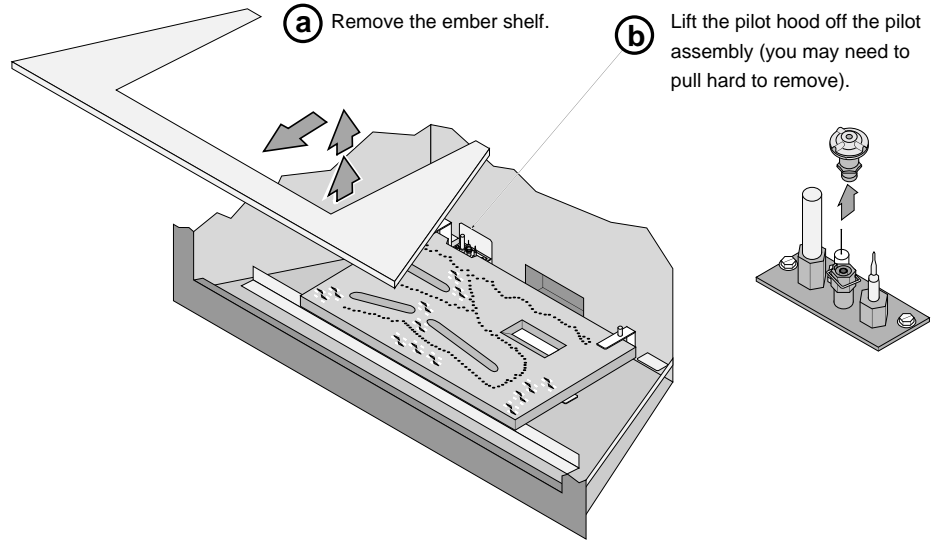
## IF WARRANTY SERVICE IS NEEDED:

- If you discover a problem that you believe is covered by this warranty, you MUST REPORT it to your TRAVIS dealer WITHIN 30 DAYS, giving them proof of purchase, the purchase date, and the model name and serial number.
- Travis Industries has the option of either repairing or replacing the defective component.
- If your dealer is unable to repair your appliance's defect, he may process a warranty claim through TRAVIS INDUSTRIES, INC., including the name of the dealership where you purchased the appliance, a copy of your receipt showing the date of the appliance's purchase, and the serial number on your appliance. At that time, you may be asked to ship your appliance, freight charges prepaid, to TRAVIS INDUSTRIES, INC. TRAVIS INDUSTRIES, INC., at its option, will repair or replace, free of charge, your TRAVIS appliance if it is found to be defective in material or workmanship within the time frame stated within this year warranty. TRAVIS INDUSTRIES, INC. will return your appliance, freight charges (years 1 to 5) prepaid by TRAVIS INDUSTRIES, INC., to your regional distributor, or dealership.
- Check with your dealer in advance for any costs to you when arranging a warranty call. Mileage or service charges are not covered by this warranty. This charge can vary from store to store.

## LP Conversion Instructions

**Install the conversion kit prior to installing the gas line to ensure proper gas use.**

- 1 Remove the glass (see page 29). Remove the logs (if installed - page 31)
- 2 Remove the burner (see illustration to the right).



Remove the burner from the firebox.

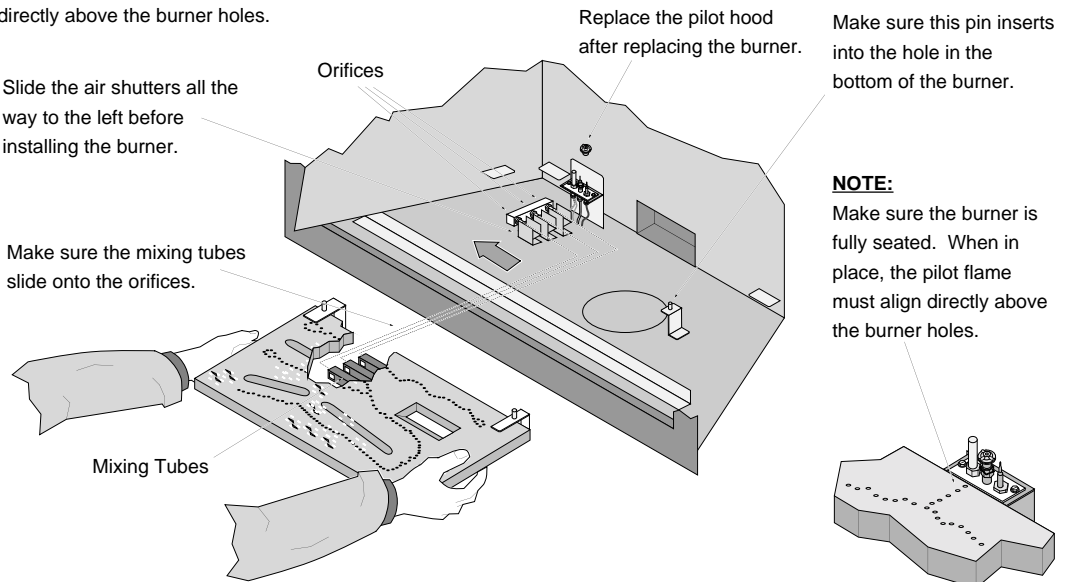
**Do not lift the burner by the pins.**

**Burner Replacement:**

Make sure the burner is fully seated. When in place, the pilot flame must align directly above the burner holes.

Slide the air shutters all the way to the left before installing the burner.

Make sure the mixing tubes slide onto the orifices.



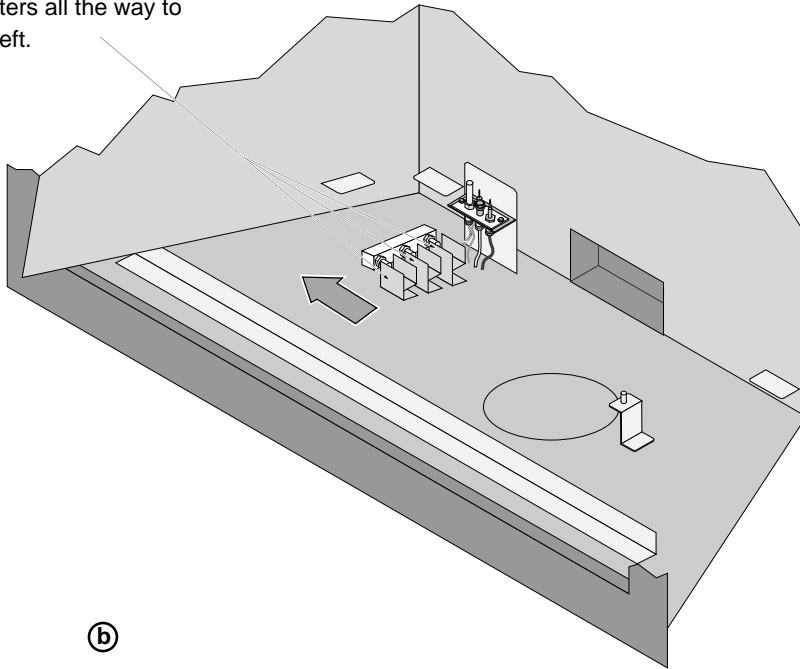
**NOTE:**

Make sure the burner is fully seated. When in place, the pilot flame must align directly above the burner holes.

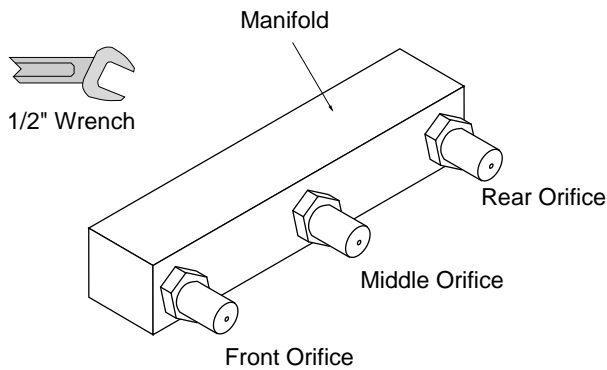
# 48 Optional Equipment (for qualified installers only)

3 Follow the directions below to replace the orifices.

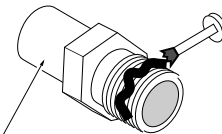
**(a)** Slide the three air shutters all the way to the left.



**(b)** Use a 1/2" open end wrench to unscrew all three orifices.



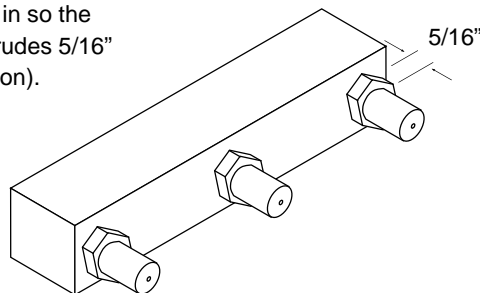
**(c)** Apply thread sealant to the LP orifices prior to installation. Use the chart below to identify the correct orifices.



Look here for the orifice identification

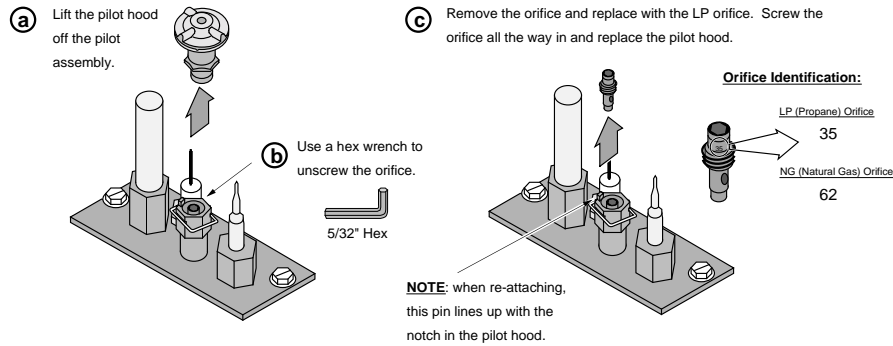
	LP	NG
Front	#55	#45
Middle	#55	#43
Rear	#55	#44

**(d)** Screw the LP orifice in so the orifice shoulder protrudes 5/16" (indicating full insertion).





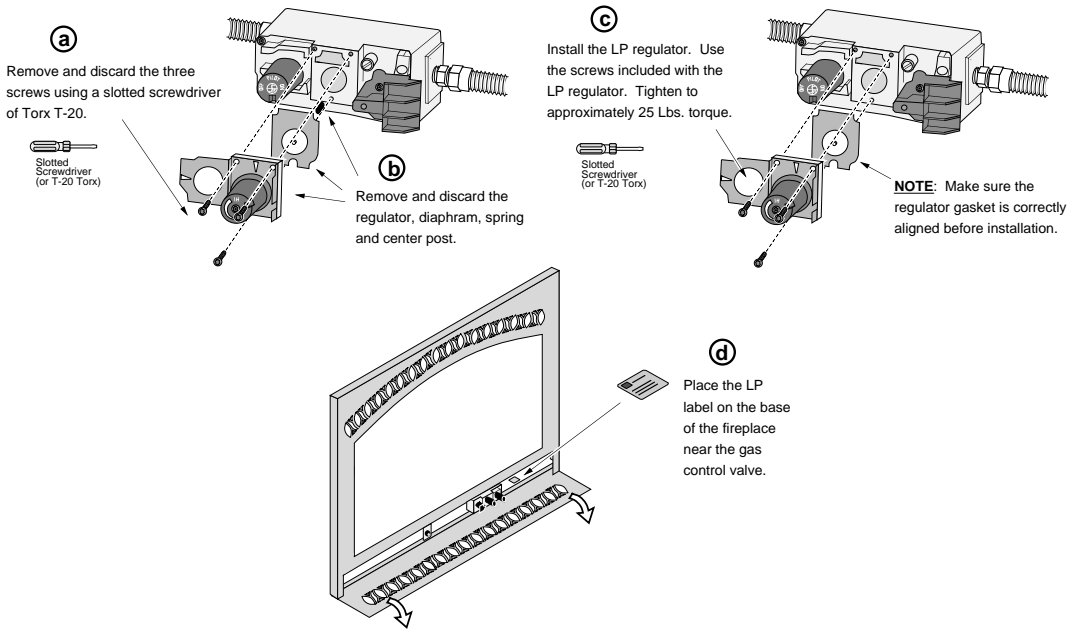
4 Remove the pilot orifice following the instructions below. Replace with the propane pilot orifice



5 Install the logs and embers.

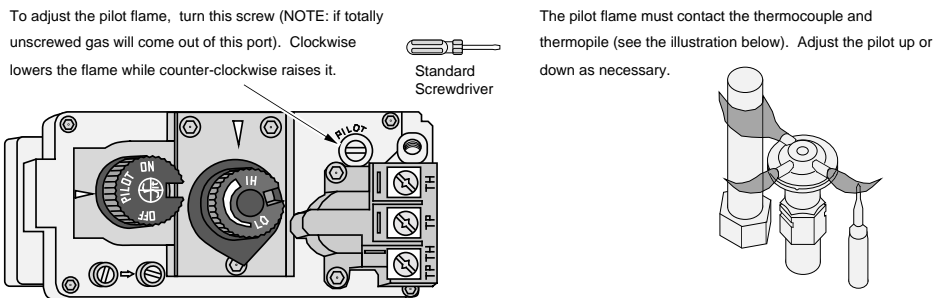
6 Replace glass and face.

7 Remove the regulator from the front of the gas control valve. Replace with the propane regulator, using the new gasket and screws included with the regulator. **NOTE: Leak test this area after the heater is installed, gas is connected, and the main burner is lit.**



8 Make the gas line connection, bleed the gas line (if applicable), start the heater and thoroughly leak-test all gas connections and the gas control valve. Check the pilot. Adjust if necessary.

**WARNING: When lighting or re-lighting the pilot, the glass must be removed (see page 29).**



9 Inspect the flames. Adjust the air shutter if necessary (see step 7 on page 35).

# 50 Optional Equipment (for qualified installers only)

## POWER HEAT DUCT (part # 98500769)

The optional heat duct allows the fireplace to transfer heat to separate locations in the home. **One or two ducts may be used.** Installation should take place prior to installing drywall.

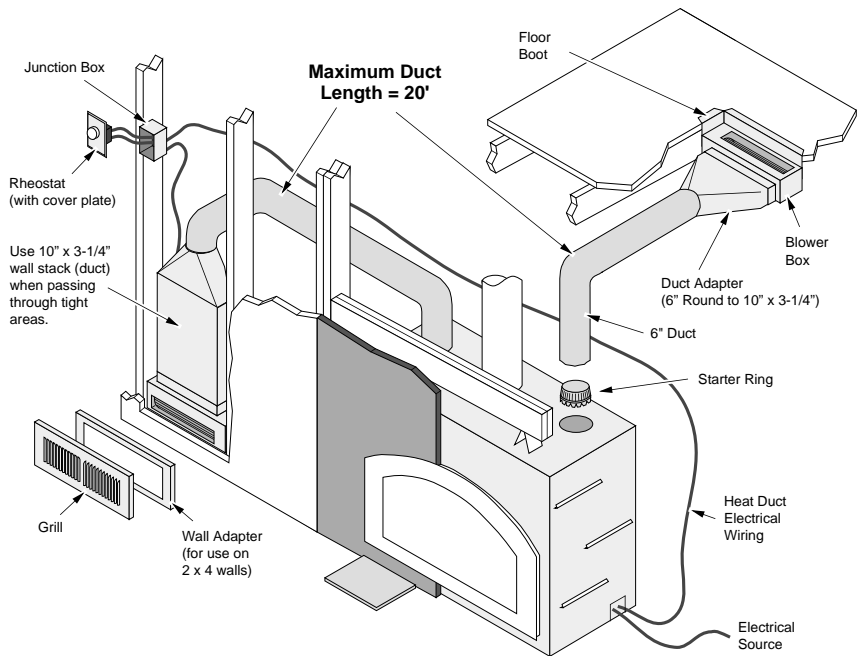
**Warning:** This kit must be installed as specified in these instructions. Do not modify any component.

**Warning:** Use of any external blower other than the Travis Power Heat Duct Blower will void the warranty and listing of this appliance and may create a fire hazard.

**Note:** The power heat duct **must** be installed by a qualified service technician.

**Note:** Some building codes may require the use of firestop spacers whenever the duct passes from room to room.

**Note:** When routing ducts through a cold area (e.g. crawl space) we recommend insulating the duct with fiberglass insulation. If paper-backed insulation is used, the paper can not contact the duct.

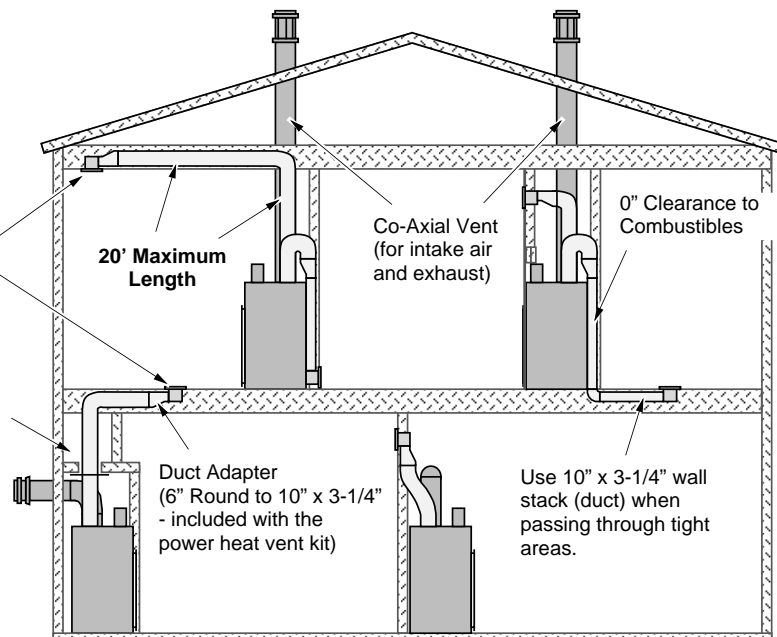
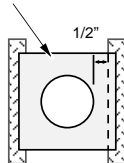


- 1 Determine the route for the heat duct using the illustration below as a guide.

**NOTE:**

Air flow through the duct is affected by length and number of bends. Keep the length and number of bends to the minimum to maximize performance.

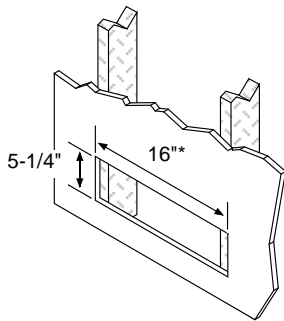
When the duct penetrates the fireplace enclosure vertically and the top of the enclosure is within 36" of the top of the fireplace, a firestop spacer that maintains a 1/2" clearance between all sides of the duct and any combustible material must be used.



2 Attach the blower box to the framing or floorboards of the home following the instructions below.

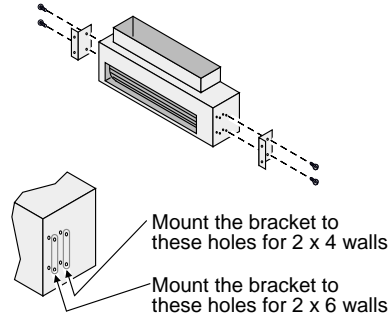
## Wall or Ceiling Mounting

**(a)** Cut a hole between wall framing members for the blower assembly.

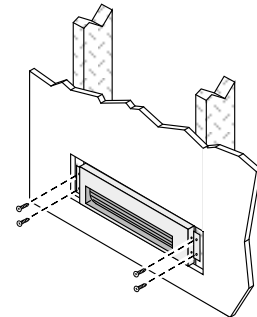


\* This blower was designed for framing on 16" centers - construct additional framing if needed.

**(b)** Attach the wall mounting brackets to the blower box.

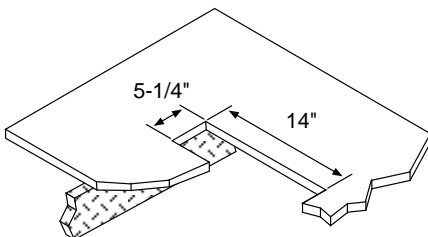


**(c)** Slide the blower, with wires, into the hole cut in step "a". Attach with four screws.

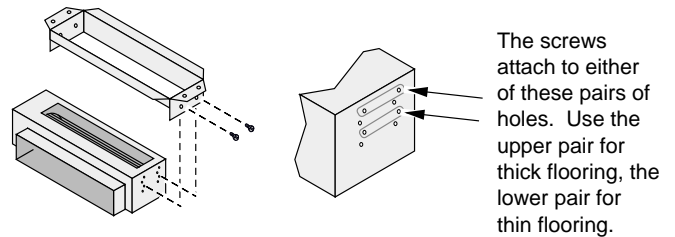


## Floor Mounting

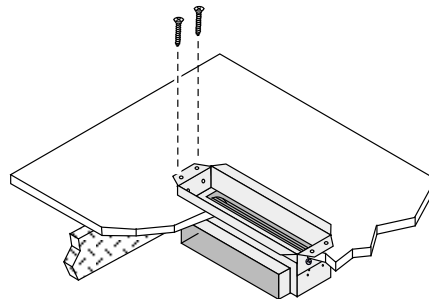
**(a)** Cut a hole between floor joists for the blower box.



**(b)** Attach the floor boot to the blower box with the included screws.

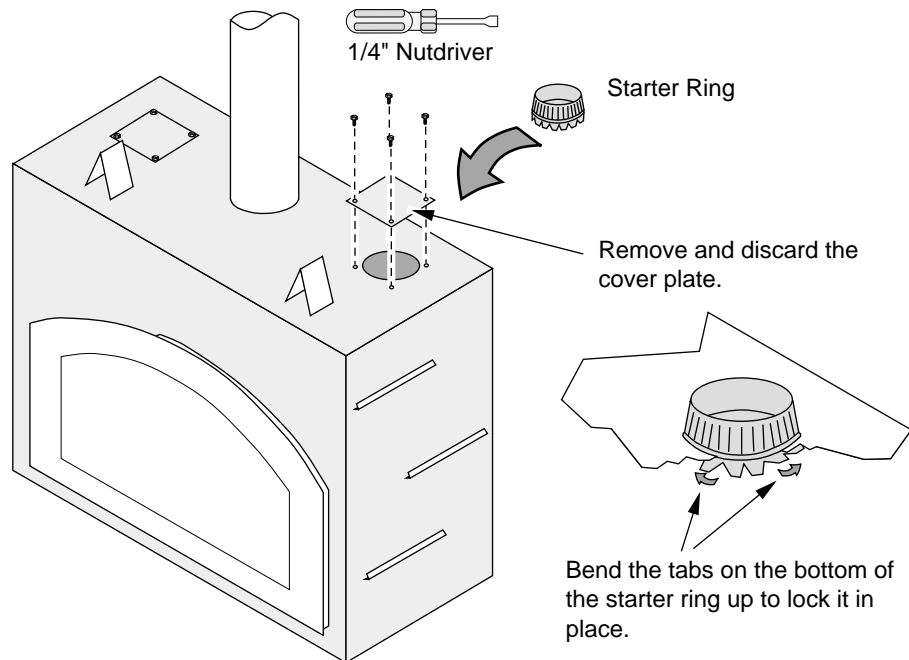


**(c)** Slide the blower into the hole cut in step "a". Attach with four screws.



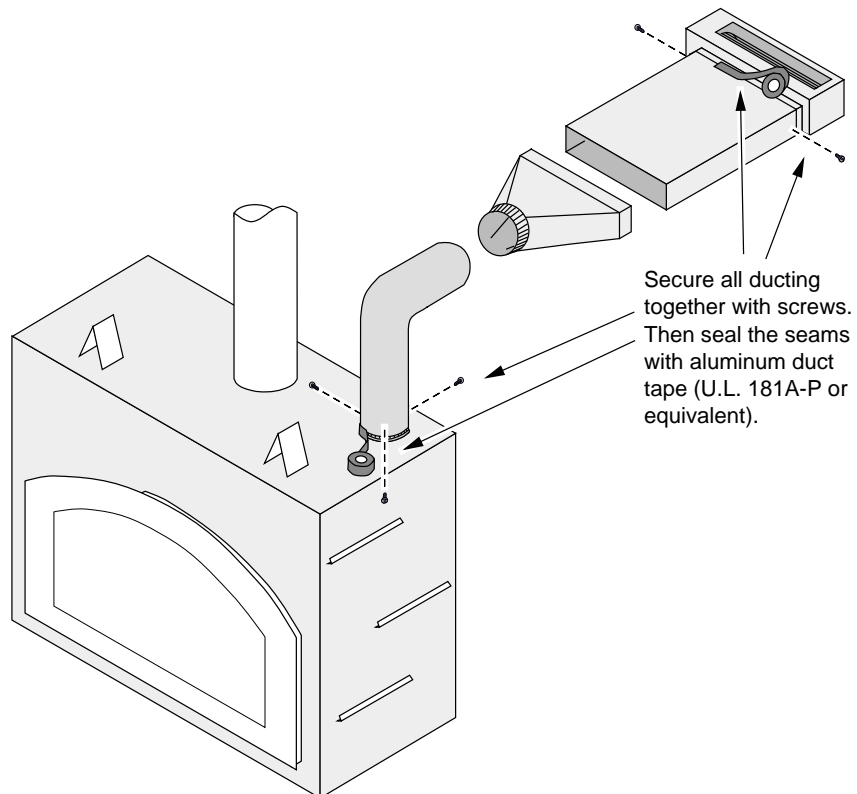
## 52 Optional Equipment (for qualified installers only)

- 3 Attach the starter ring to the fireplace following the directions below (use the most convenient side).

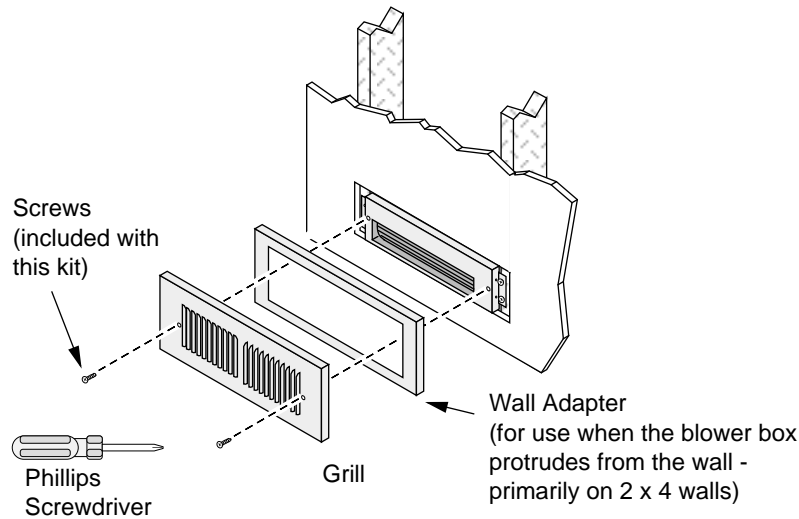


- 4 Install the air duct. Each section, when joined, must be attached with three screws and duct tape (U.L. 181A-P or equivalent). Secure the duct if it is in an area where it may sag or become dislodged.

**NOTE: The air duct has a 0" clearance to combustibles.**



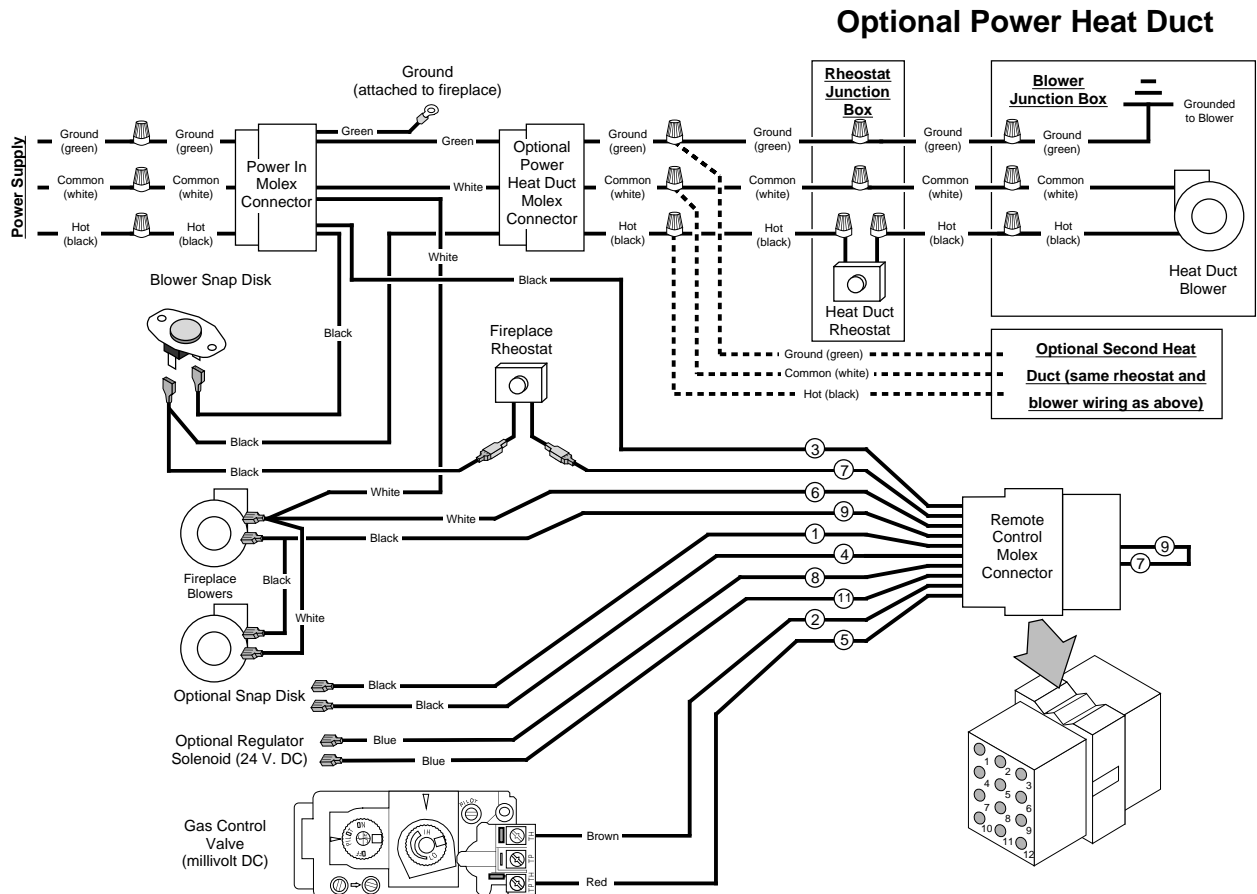
5 Attach the grill (and wall adapter, if necessary).



## WIRING DIAGRAM

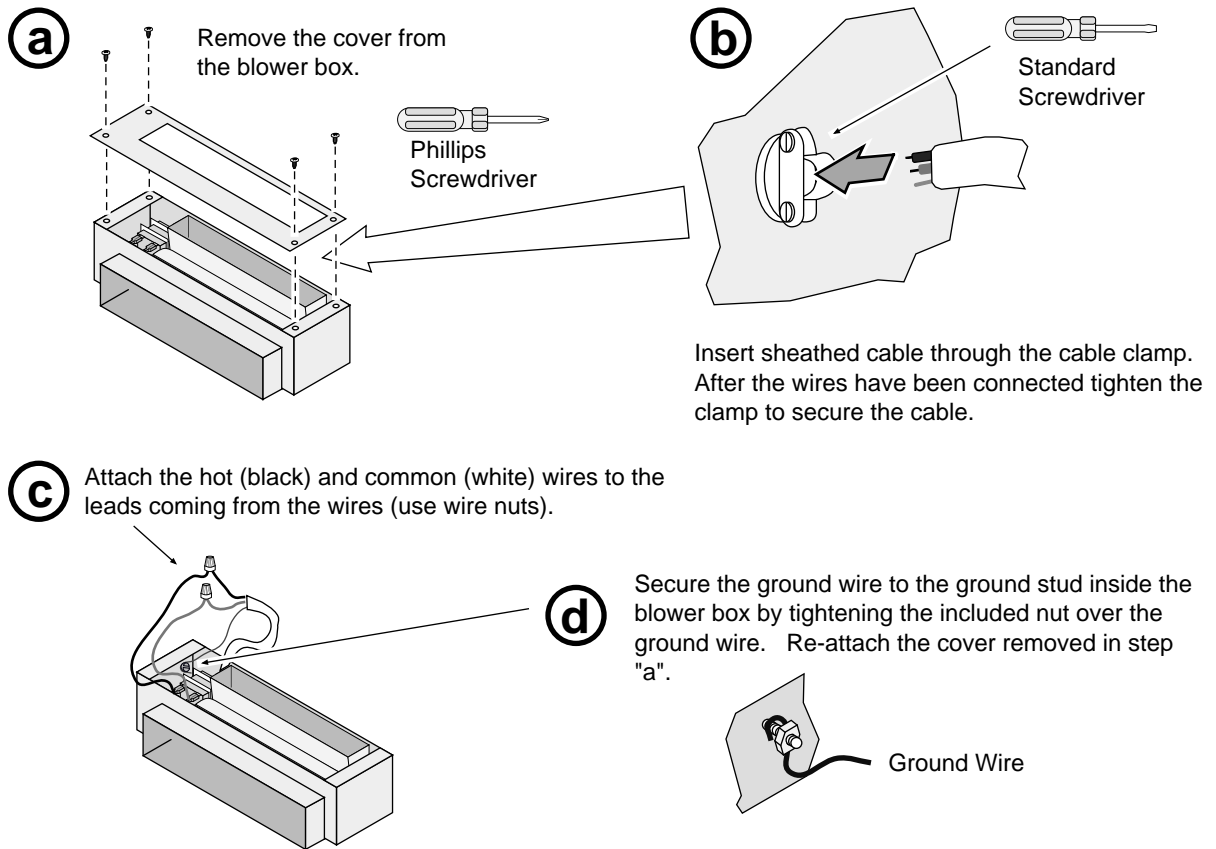
**Warning:** All wiring should be done by a qualified electrician and shall be in compliance with local codes and with the current National Electric Code ANSI/NFPA 70 (in the U.S.), or with the current CSC22.1 Canadian Electric Code (in Canada).

**Warning:** Make sure the fireplace electrical circuit is disabled prior to working on electrical hookup.

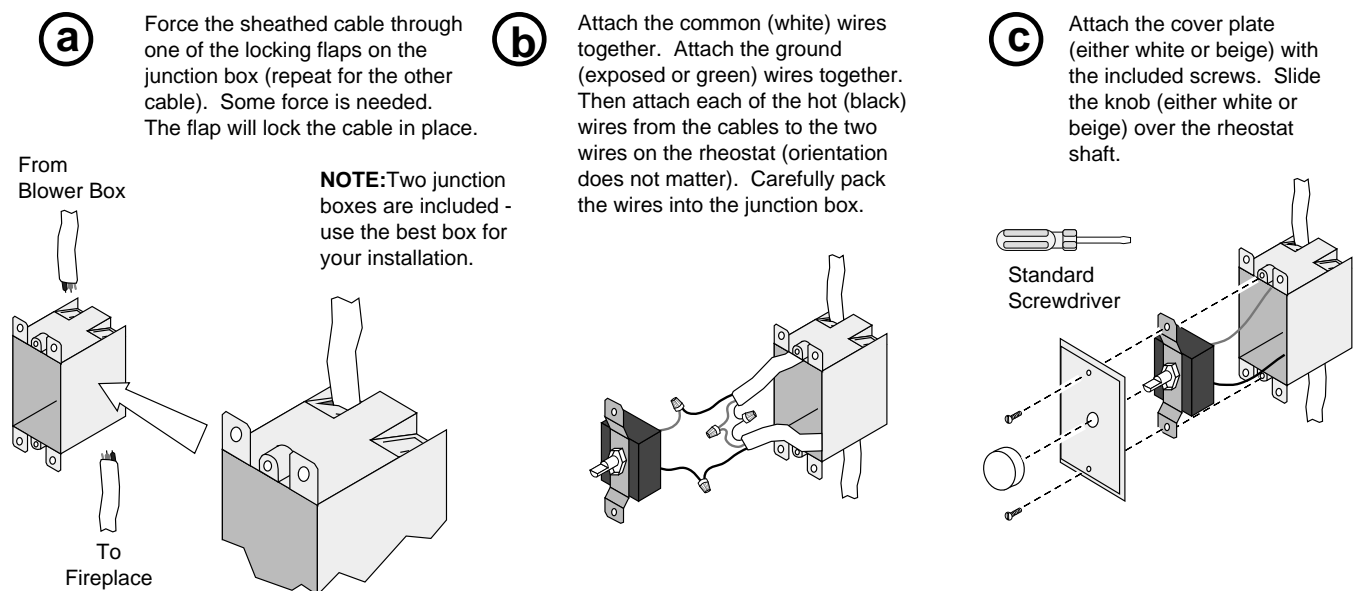


# 54 Optional Equipment (for qualified installers only)

6 Follow the directions below to wire the blower box.



7 Follow the directions below to wire the rheostat. **NOTE:** There are two types of junction boxes, use the appropriate junction box for your installation.

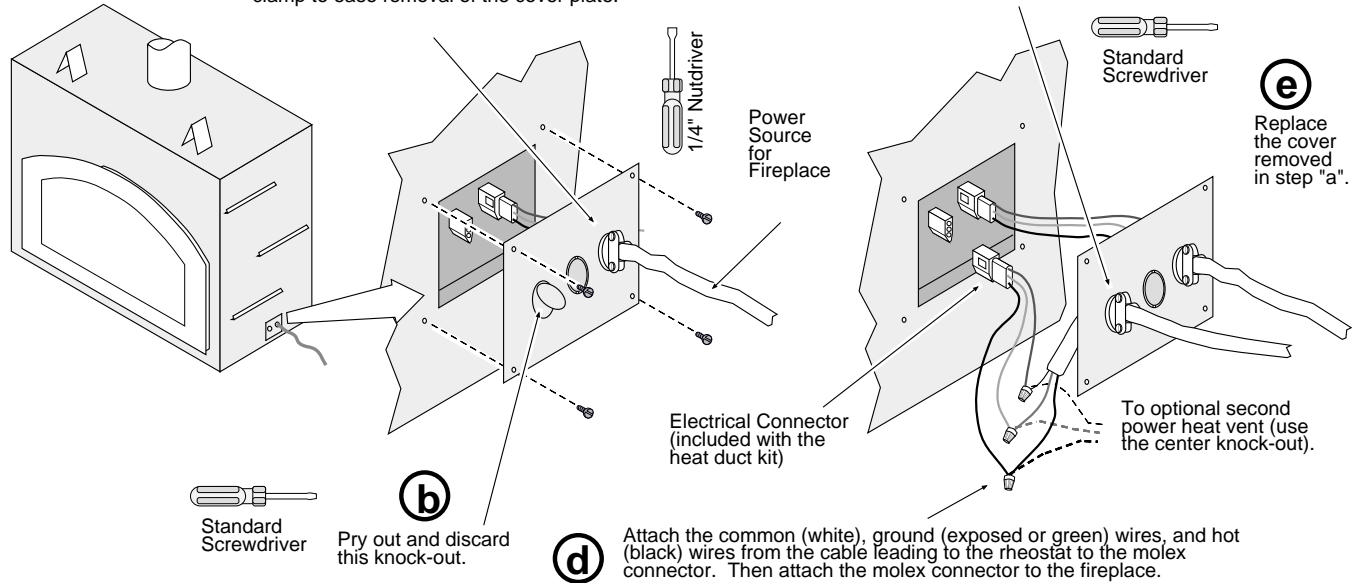


8 Run the free wire from the rheostat junction box to the fireplace. Follow the directions below to connect the heat duct circuit to the fireplace.

**(a)** Remove the cover from the fireplace junction box.

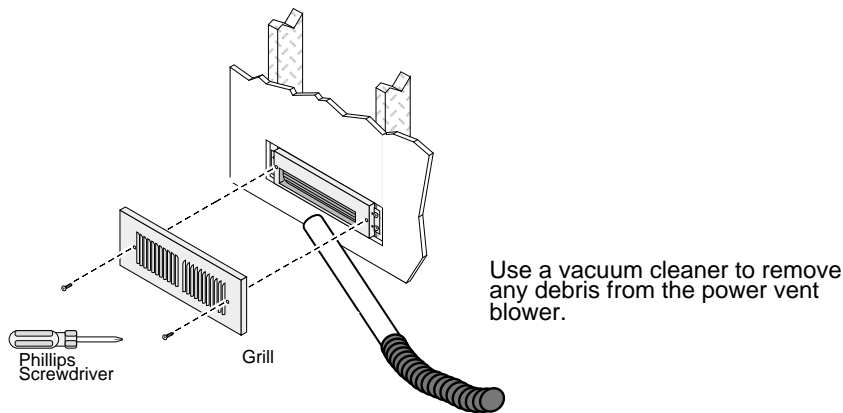
**Note:** you may need to loosen this cable clamp to ease removal of the cover plate.

**(c)** Insert the sheathed cable from the rheostat through a cable clamp and push the cable clamp into the knock-out hole to secure it in place. Once the wires are attached, tighten the clamp to secure the cable.



## MAINTENANCE INSTRUCTIONS

Once a year the grate should be removed and the blower area cleaned. Use a vacuum to clean around the squirrel-cage blower, being careful not to damage any of the blades.



## Modulating Remote Installation

Follow the directions included with the remote for installation with the exception of the receiver heat shield. For the 44 DV EF, use the modulating remote receiver heat shield included inside the fireplace (to the left of the gas control valve) instead of the heat shield included with the kit.

Approved Vent Configurations.....	16	Installation Options .....	6
Adjusting the Blower Speed.....	40	Items Required for Installation.....	7
Adjusting the Flame Height .....	39	Leaking Gas .....	See Inst. on Cover
Air Shutter Adjustment.....	35	Listing Information .....	45
Altitude Considerations.....	14	Location of Controls.....	37
Blower Control.....	40	Log Set Installation and Removal .....	31
BTU Input.....	6	Maintenance .....	41
BTU Output.....	6	Mantel Requirements.....	28
Cap (see vent termination).....	21	Measuring Vent Lengths.....	16
Chimney Cap (see vent termination).....	21	Noise (see Normal Operating Sounds) .....	40
Chimney Installation (see Vent Requirements)....	14	Normal Operating Sounds.....	40
Clearances.....	10	Packing List.....	7
Condensation on Glass.....	39	Pilot Flame Inspection.....	34
Corner Installation.....	11	Piping Installation (see Gas Line Install).....	12
Dimensions.....	6	Raised Fireplaces .....	11
Dura-Vent (part numbers).....	14	Remote Control Installation (modulating) .....	55
Elbows.....	16	Restrictor Position .....	16
Electrical Connection.....	13	Safety Label.....	45
Face Dimensions.....	24	Safety Precautions .....	4
Face Installation.....	36	Starting The Pilot.....	38
Facing Requirements.....	23	Starting the Fireplace for the First Time.....	39
Finalizing the Installation.....	29	Thermostat Operation.....	39
Floor Protection (see "Hearth Requirements")....	22	Turning the Fireplace On and Off.....	39
Framing Dimensions .....	9	Vent Length (see "Vent Configuration").....	16
Fuel.....	12	Vent Part Numbers .....	14
Gas Control Valve (Location).....	37	Vent Requirements .....	14
Gas Inlet Pressure.....	12	Vertical Vent Termination Requirements .....	21
Gas Line Connection .....	12	Warnings.....	4
Gas Line Install.....	12	Warranty.....	46
Gas Smell.....	See Inst. on Cover	Water on Glass (see Condensation) .....	39
Glass Installation and Removal .....	29	Weight (325 Lbs.).....	6
Hearth Requirements.....	22	What Prevents Gas Buildup.....	43
Heating Specifications .....	6	What Turns the Main Burners On and Off.....	43
Horizontal Vent Termination Requirements .....	21	Wiring Diagram.....	44
How this Fireplace Works.....	43	Yearly Service Procedure.....	41
Vent Lengths.....	16		